



CINEMA CHAIR SERIES

FACTORY LANDSCAPE



HY-804

Material Description

Seat back:

The sponge adopts imported special-shaped sponge, which has comfortable elasticity, good resilience, and will not collapse after sitting for a long time.

Fabric:

Premium special fabric, flame retardant, stain resistant, fade resistant.

Shell:

The base material is made of high-quality high-density multi-layer board, and the outer shoes are imported environmental protection baking paint, which is beautiful and anti-deformation.

Stand:

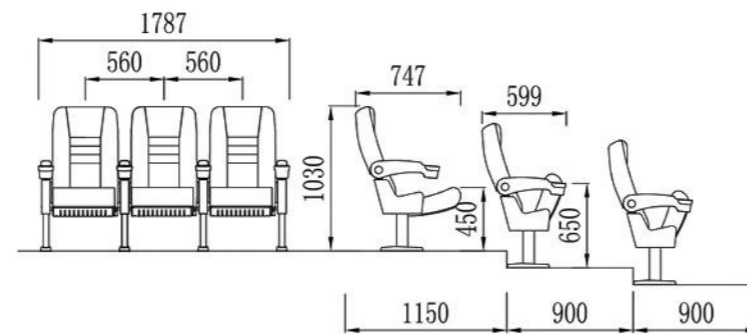
Made of high-quality cold-rolled steel stamping.

Coating:

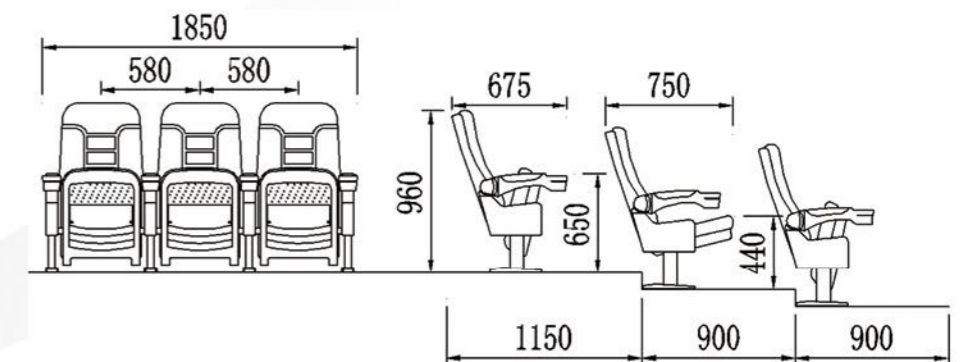
After anti-rust phosphating treatment, electrostatic powder spraying, high temperature plasticizing.

Armrest:

It is processed and formed by solid wood, dehydrated, dried and buffered, and the outer shoes are imported environmental protection baking paint.



HY-606



HY-10707Z

Material Description

Seat back:
The sponge adopts imported special-shaped sponge, which has comfortable elasticity, good resilience, and will not collapse after sitting for a long time.

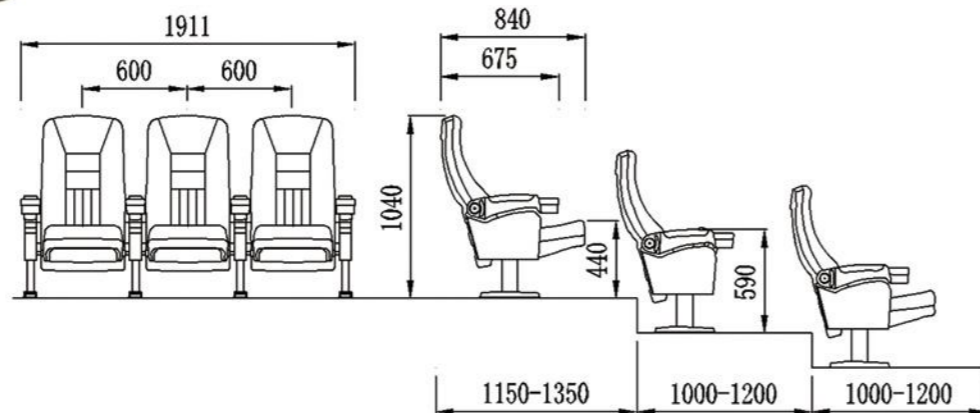
Fabric:
Premium special fabric, flame retardant, stain resistant, fade resistant.

Shell:
The base material is made of high-quality high-density multi-layer board, and the outer shoes are imported environmental protection baking paint, which is beautiful and anti-deformation.

Stand:
Made of high-quality cold-rolled steel stamping.

Coating:
After anti-rust phosphating treatment, electrostatic powder spraying, high temperature plasticizing.

Armrest:
It is processed and formed by solid wood, dehydrated, dried and buffered, and the outer shoes are imported environmental protection baking paint.



P. U扶手

HY-10707

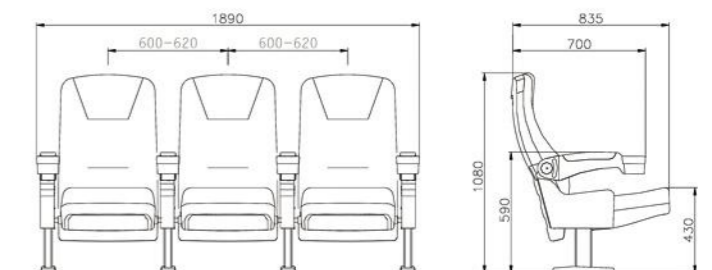
W N

Material Description

Seat back:
The sponge adopts imported special-shaped sponge, which has comfortable elasticity, good resilience, and will not collapse after sitting for a long time.

Fabric:
Premium special fabric, flame retardant, stain resistant, fade resistant.

Shell:
The base material is made of high-quality high-density multi-layer board, and the outer shoes are imported environmental protection baking paint, which is beautiful and anti-deformation.





HY-10606A



HY-10606A



HY-10606C



HY-10606C



HY-10501

Material Description

Seat back:
The sponge adopts imported special-shaped sponge, which has comfortable elasticity, good resilience, and will not collapse after sitting for a long time.

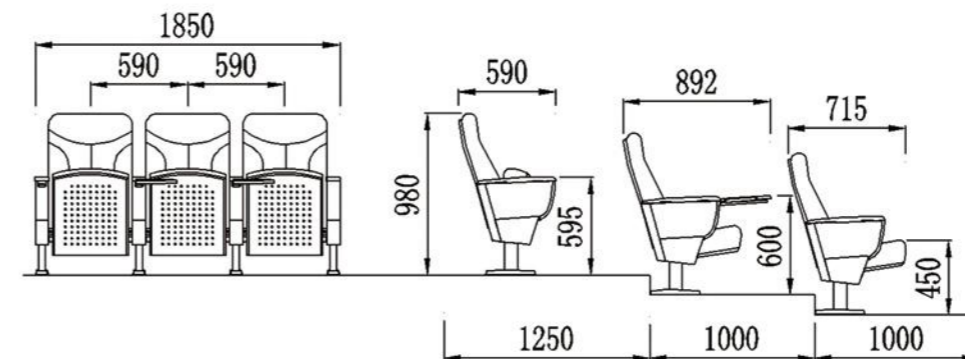
Fabric:
Premium special fabric, flame retardant, stain resistant, fade resistant.

Shell:
The base material is made of high-quality high-density multi-layer board, and the outer shoes are imported environmental protection baking paint, which is beautiful and anti-deformation.

Stand:
Made of high-quality cold-rolled steel stamping.



HY-10501B



hypresin

Hypresin(Chongqing) Enterprise Development Co., Ltd.

No. 1-1, Eling Main Street
Yuzhong District
Chongqing, China

Mobile: +86 133 7270 6173

Email: info@hypresin.com

Web: www.hypresin.com