



HYPRESIN FIXED SEATING

Company Introduction

Hypresin(Chongqing) Enterprises Development Co., Ltd. was founded in 1998. The company is headquartered in Yuzhong District, Chongqing City. Our company has about 1,100 employees and after-sales service personnel.

We are the professional manufacturer of sports facilities and equipment, public seats and school facilities in Southwest China. Our company covers an area of more than 100 acres and has a construction area of more than 100,000 square meters.

We are the professional sports facility equipment and furniture enterprise integrating design, research and development, production, sales and after-sales service.



FACTORY LANDSCAPE



CATALOGUE

Hypresin(Chongqing) Enterprises Development Co., Ltd.

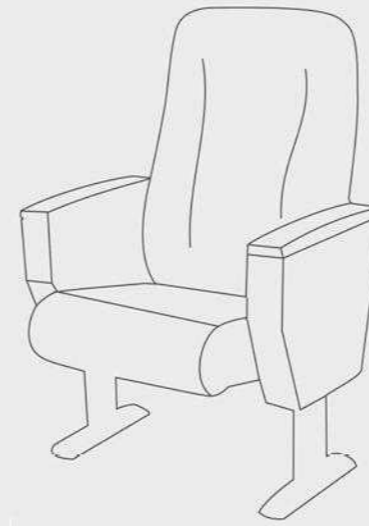
CONTENT

▣ **AUDITORIUM CHAIR**

▣ **CONFERENCE CHAIR**

▣ **CINEMA CHAIR**

▣ **THEATER CHAIR**



Auditorium seating

The Hypresin Auditorium Chair provide unprecedented free choices for hall environments. Under the support of advanced material and modern technology. We design and develop fashion products, which can catch up with the time development. As all expected, every space designed by Hypresin Company is fully characteristic of unique vision and touch, which makes Hypresin Company become the benchmark in the industry.

- W** String bag ng bag
- B** Cup holder
- N** Damping Reply
- X** Writing Pad



The image shows a wide-angle view of a large, modern auditorium. The room is filled with rows of red upholstered seats, each with a small wooden desk attached to the front. The walls are finished with light-colored wood paneling and feature several large, rectangular acoustic panels. The ceiling is equipped with recessed lighting. A semi-transparent white box is overlaid on the left side of the image, containing the text 'AUDITORIUM & CONFERENCE CHAIR SERIES' in a bold, green, sans-serif font.

**AUDITORIUM &
CONFERENCE
CHAIR SERIES**

HY-702A W B N X

Material Description

Seat back:

The sponge adopts imported special-shaped sponge, which has comfortable elasticity, good resilience, and will not collapse after sitting for a long time.

Fabric:

Premium special fabric, flame retardant, stain resistant, fade resistant.

Shell:

The base material is made of high-quality high-density multi-layer board, and the outer shoes are imported environmental protection baking paint, which is beautiful and anti-deformation.

Stand:

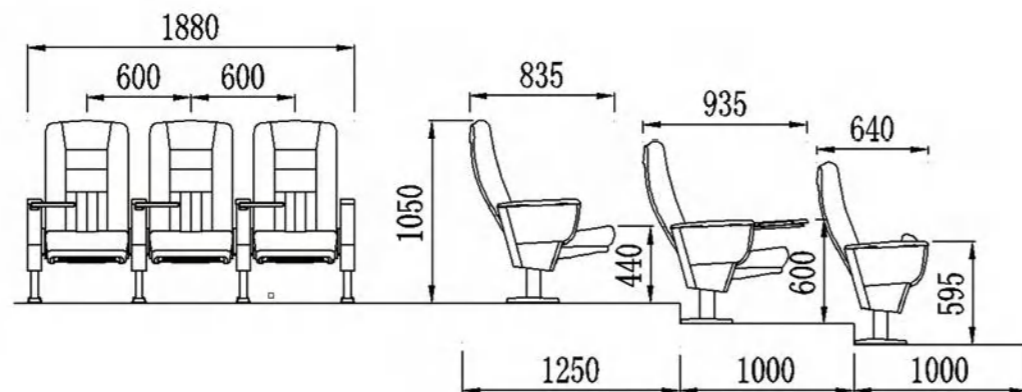
Made of high-quality cold-rolled steel stamping.

Coating:

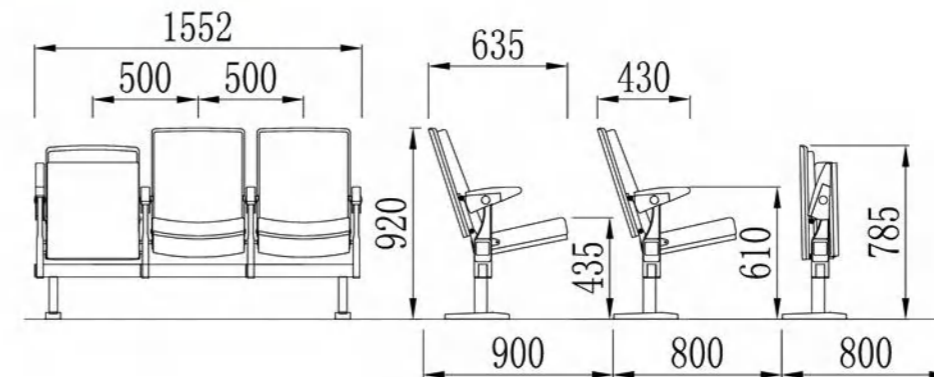
After anti-rust phosphating treatment, electrostatic powder spraying, high temperature plasticizing.

Armrest:

It is processed and formed by solid wood, dehydrated, dried and buffered, and the outer shoes are imported environmental protection baking paint.



HY-701



HY-701A



HY-901



Material Description

Seat back:

The sponge adopts imported special-shaped sponge, which has comfortable elasticity, good resilience, and will not collapse after sitting for a long time.

Fabric:

Premium special fabric, flame retardant, stain resistant, fade resistant.

Shell:

The base material is made of high-quality high-density multi-layer board, and the outer shoes are imported environmental protection baking paint, which is beautiful and anti-deformation.

Stand:

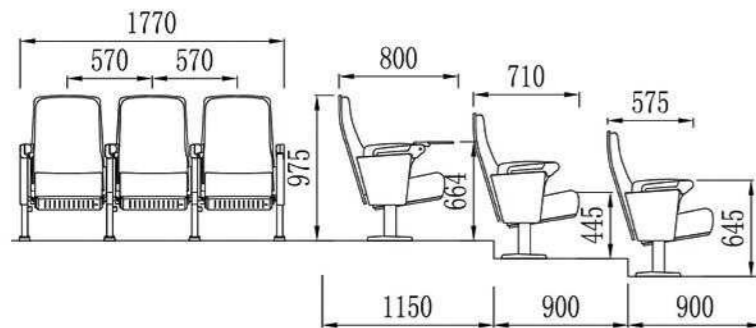
Made of high-quality cold-rolled steel stamping.

Coating:

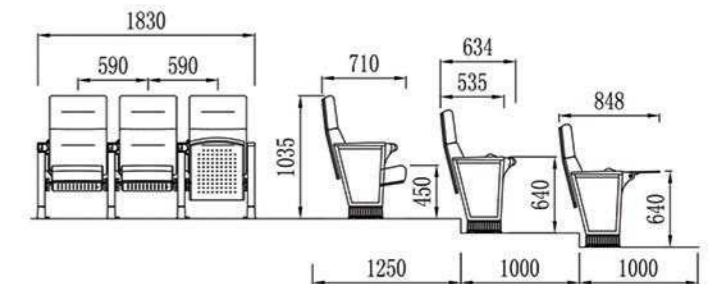
After anti-rust phosphating treatment, electrostatic powder spraying, high temperature plasticizing.

Armrest:

It is processed and formed by solid wood, dehydrated, dried and buffered, and the outer shoes are imported environmental protection baking paint.



HY-802





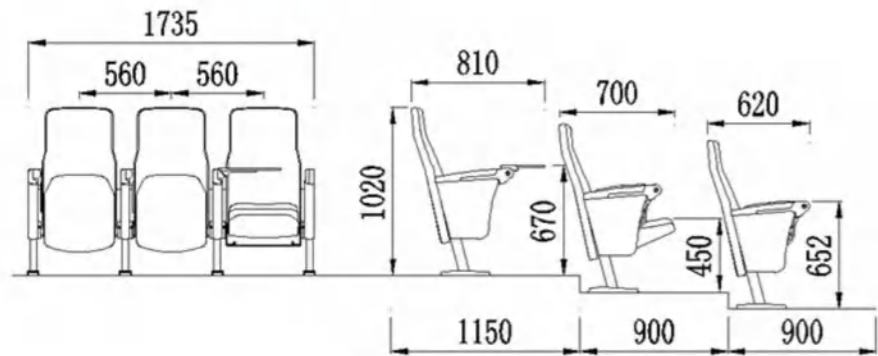
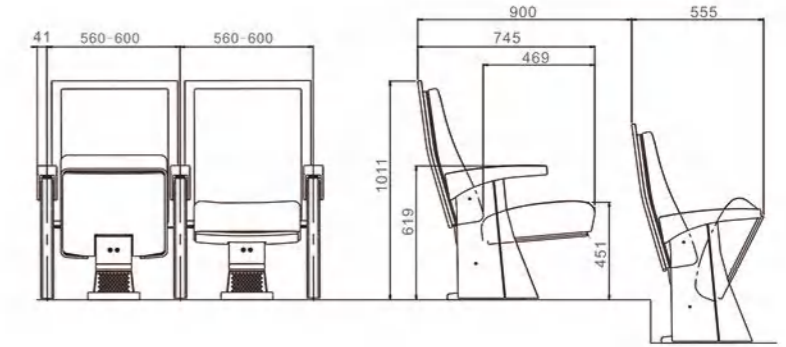
HY-811X

Material Description

Seat back:
The sponge adopts imported special-shaped sponge, which has comfortable elasticity, good resilience, and will not collapse after sitting for a long time.

Fabric:
Premium special fabric, flame retardant, stain resistant, fade resistant.

Shell:
The base material is made of high-quality high-density multi-layer board, and the outer shoes are imported environmental protection baking paint, which is beautiful and anti-deformation.



HY-811A

HY-813

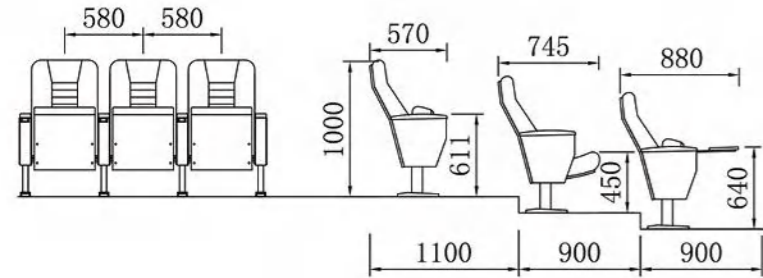
Material Description

Seat back:
The sponge adopts imported special-shaped sponge, which has comfortable elasticity, good resilience, and will not collapse after sitting for a long time.

Fabric:
Premium special fabric, flame retardant, stain resistant, fade resistant.

Shell:
The base material is made of high-quality high-density multi-layer board, and the outer shoes are imported environmental protection baking paint, which is beautiful and anti-deformation.





HY-11702

Material Description

Seat back:
The sponge adopts imported special-shaped sponge, which has comfortable elasticity, good resilience, and will not collapse after sitting for a long time.

Fabric:
Premium special fabric, flame retardant, stain resistant, fade resistant.

Shell:
The base material is made of high-quality high-density multi-layer board, and the outer shoes are imported environmental protection baking paint, which is beautiful and anti-deformation.

Stand:
Made of high-quality cold-rolled steel stamping.

Coating:
After anti-rust phosphating treatment, electrostatic powder spraying, high temperature plasticizing.

Armrest:
It is processed and formed by solid wood, dehydrated, dried and buffered, and the outer shoes are imported environmental protection baking paint.



HY-11703

Material Description

Seat back:
The sponge adopts imported special-shaped sponge, which has comfortable elasticity, good resilience, and will not collapse after sitting for a long time.

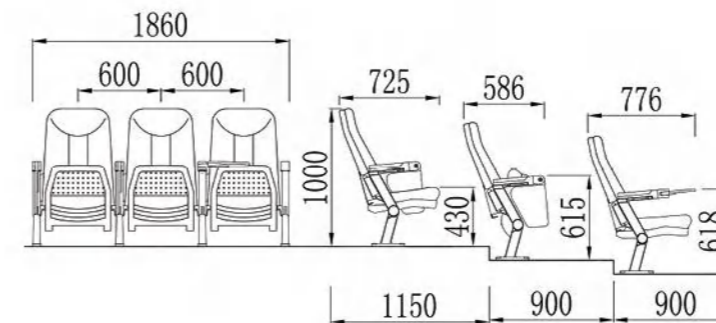
Fabric:
Premium special fabric, flame retardant, stain resistant, fade resistant.

Shell:
The base material is made of high-quality high-density multi-layer board, and the outer shoes are imported environmental protection baking paint, which is beautiful and anti-deformation.

Stand:
Made of high-quality cold-rolled steel stamping.

Coating:
After anti-rust phosphating treatment, electrostatic powder spraying, high temperature plasticizing.

Armrest:
It is processed and formed by solid wood, dehydrated, dried and buffered, and the outer shoes are imported environmental protection baking paint.



HY-11704



Material Description

Seat back:

The sponge adopts imported special-shaped sponge, which has comfortable elasticity, good resilience, and will not collapse after sitting for a long time.

Fabric:

Premium special fabric, flame retardant, stain resistant, fade resistant.

Shell:

The base material is made of high-quality high-density multi-layer board, and the outer shoes are imported environmental protection baking paint, which is beautiful and anti-deformation.

Stand:

Made of high-quality cold-rolled steel stamping.

Coating:

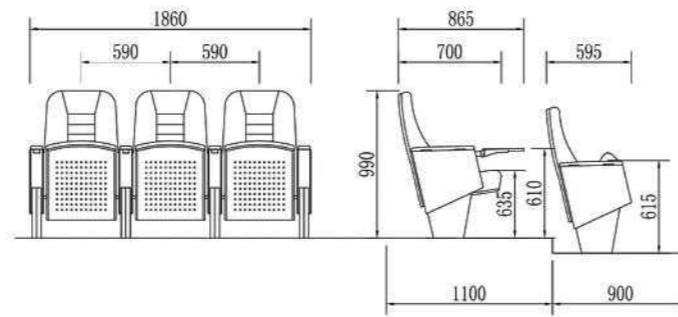
After anti-rust phosphating treatment, electrostatic powder spraying, high temperature plasticizing.

Armrest:

It is processed and formed by solid wood, dehydrated, dried and buffered, and the outer shoes are imported environmental protection baking paint.

Reply:

Spring and damping return, automatic slow return, no noise



Material Description

Seat back:

The sponge adopts imported special-shaped sponge, which has comfortable elasticity, good resilience, and will not collapse after sitting for a long time.

Fabric:

Premium special fabric, flame retardant, stain resistant, fade resistant.

Shell:

The base material is made of high-quality high-density multi-layer board, and the outer shoes are imported environmental protection baking paint, which is beautiful and anti-deformation.

Stand:

Made of high-quality cold-rolled steel stamping.

Coating:

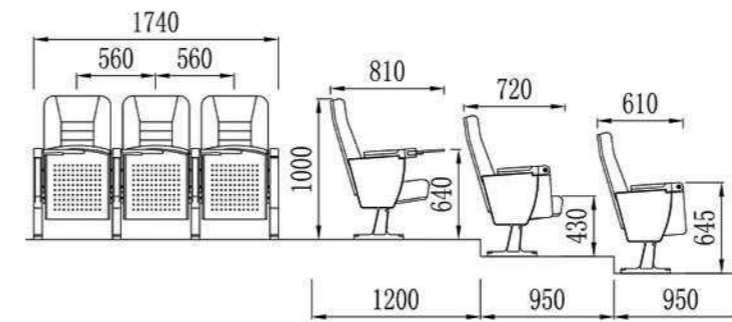
After anti-rust phosphating treatment, electrostatic powder spraying, high temperature plasticizing.

Armrest:

It is processed and formed by solid wood, dehydrated, dried and buffered, and the outer shoes are imported environmental protection baking paint.

Reply:

Spring and damping return, automatic slow return, no noise



HY-11705



HY-11706

Material Description

Seat back:

The sponge adopts imported special-shaped sponge, which has comfortable elasticity, good resilience, and will not collapse after sitting for a long time.

Fabric:

Premium special fabric, flame retardant, stain resistant, fade resistant.

Shell:

The base material is made of high-quality high-density multi-layer board, and the outer shoes are imported environmental protection baking paint, which is beautiful and anti-deformation.

Stand:

Made of high-quality cold-rolled steel stamping.

Coating:

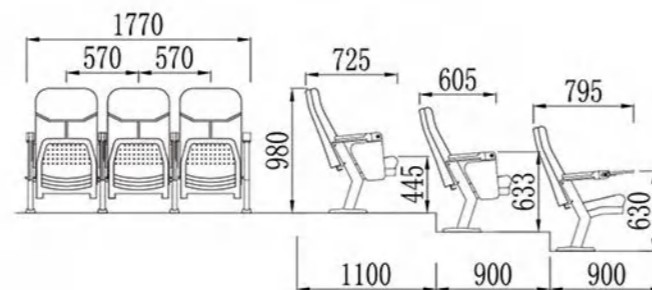
After anti-rust phosphating treatment, electrostatic powder spraying, high temperature plasticizing.

Armrest:

It is processed and formed by solid wood, dehydrated, dried and buffered, and the outer shoes are imported environmental protection baking paint.

Reply:

Spring and damping return, automatic slow return, no noise



HY-11601

Material Description

Seat back:

The sponge adopts imported special-shaped sponge, which has comfortable elasticity, good resilience, and will not collapse after sitting for a long time.

Fabric:

Premium special fabric, flame retardant, stain resistant, fade resistant.

Shell:

The base material is made of high-quality high-density multi-layer board, and the outer shoes are imported environmental protection baking paint, which is beautiful and anti-deformation.

Stand:

Made of high-quality cold-rolled steel stamping.

Coating:

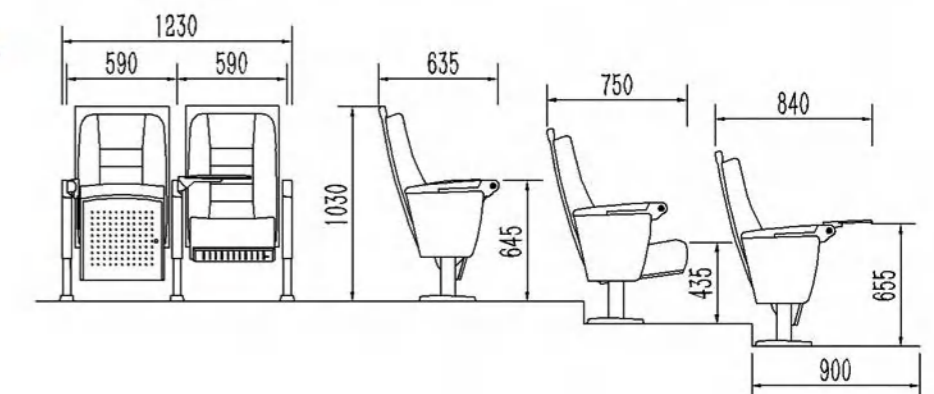
After anti-rust phosphating treatment, electrostatic powder spraying, high temperature plasticizing.

Armrest:

It is processed and formed by solid wood, dehydrated, dried and buffered, and the outer shoes are imported environmental protection baking paint.

Reply:

Spring and damping return, automatic slow return, no noise



HY-11404E



Material Description

Seat back:
The sponge adopts imported special-shaped sponge, which has comfortable elasticity, good resilience, and will not collapse after sitting for a long time.

Fabric:
Premium special fabric, flame retardant, stain resistant, fade resistant.

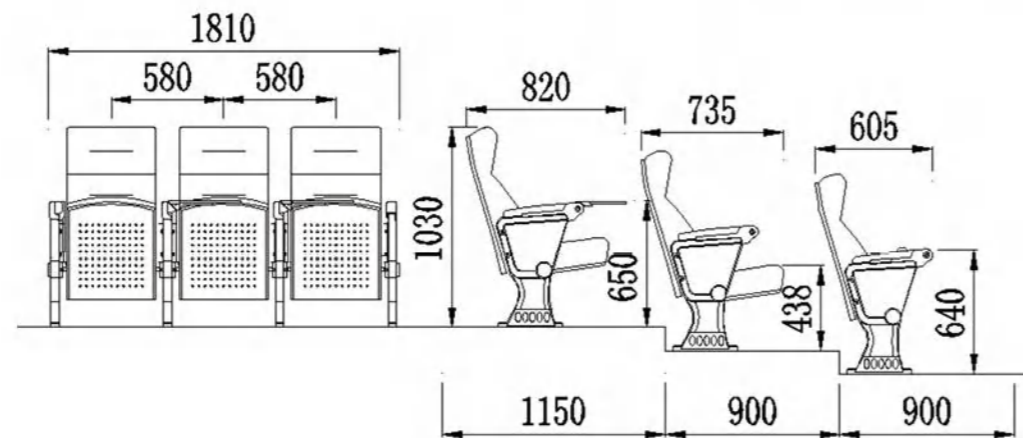
Shell:
The base material is made of high-quality high-density multi-layer board, and the outer shoes are imported environmental protection baking paint, which is beautiful and anti-deformation.

Stand:
Made of high-quality cold-rolled steel stamping.

Coating:
After anti-rust phosphating treatment, electrostatic powder spraying, high temperature plasticizing.

Armrest:
It is processed and formed by solid wood, dehydrated, dried and buffered, and the outer shoes are imported environmental protection baking paint.

Reply:
Spring and damping return, automatic slow return, no noise



HY-11403A



Material Description

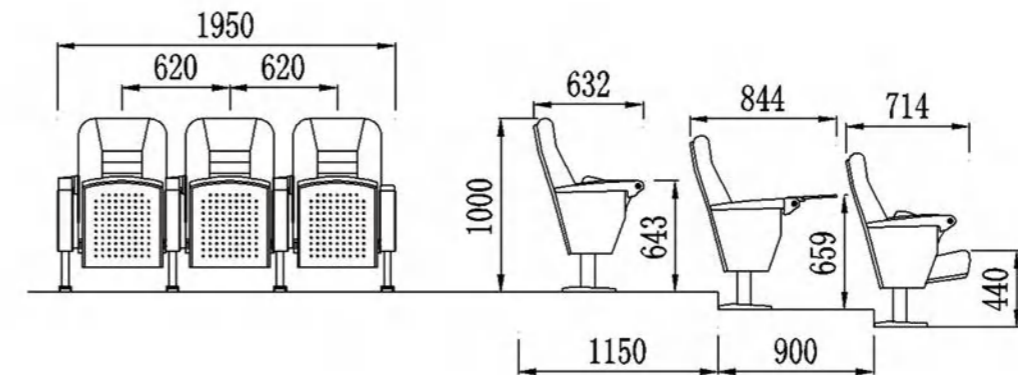
Seat back:
The sponge adopts imported special-shaped sponge, which has comfortable elasticity, good resilience, and will not collapse after sitting for a long time.

Fabric:
Premium special fabric, flame retardant, stain resistant, fade resistant.

Shell:
The base material is made of high-quality high-density multi-layer board, and the outer shoes are imported environmental protection baking paint, which is beautiful and anti-deformation.

Stand:
Made of high-quality cold-rolled steel stamping.

Coating:
After anti-rust phosphating treatment, electrostatic powder spraying, high temperature plasticizing.



HY-11401 W B N X

Material Description

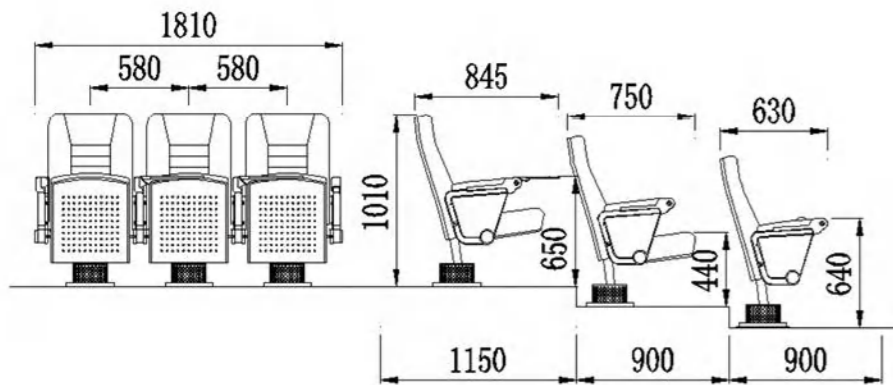
Seat back:
The sponge adopts imported special-shaped sponge, which has comfortable elasticity, good resilience, and will not collapse after sitting for a long time.

Fabric:
Premium special fabric, flame retardant, stain resistant, fade resistant.

Shell:
The base material is made of high-quality high-density multi-layer board, and the outer shoes are imported environmental protection baking paint, which is beautiful and anti-deformation.

Stand:
Made of high-quality cold-rolled steel stamping.

Coating:
After anti-rust phosphating treatment, electrostatic powder spraying, high temperature plasticizing, when rotating.



Aluminum alloy handrail frame



Rotary plastic writing board

HY-11308

Material Description

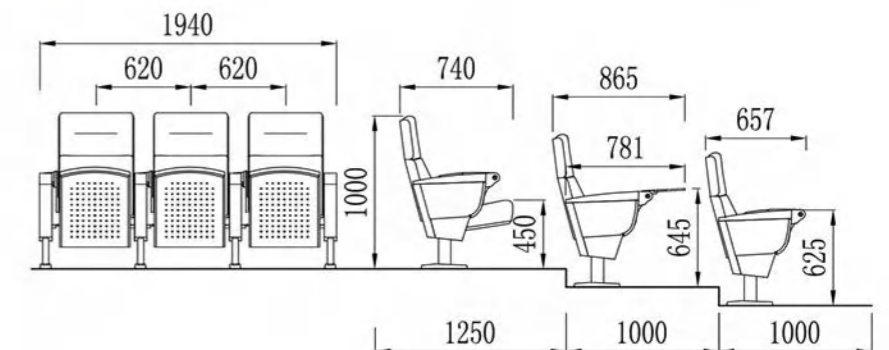
Seat back:
The sponge adopts imported special-shaped sponge, which has comfortable elasticity, good resilience, and will not collapse after sitting for a long time.

Fabric:
Premium special fabric, flame retardant, stain resistant, fade resistant.

Shell:
The base material is made of high-quality high-density multi-layer board, and the outer shoes are imported environmental protection baking paint, which is beautiful and anti-deformation.

Stand:
Made of high-quality cold-rolled steel stamping.

Coating:
After anti-rust phosphating treatment, electrostatic powder spraying, high temperature plasticizing, when rotating.



HY-11307

Material Description

Seat back:
The sponge adopts imported special-shaped sponge, which has comfortable elasticity, good resilience, and will not collapse after sitting for a long time.

Fabric:
Premium special fabric, flame retardant, stain resistant, fade resistant.

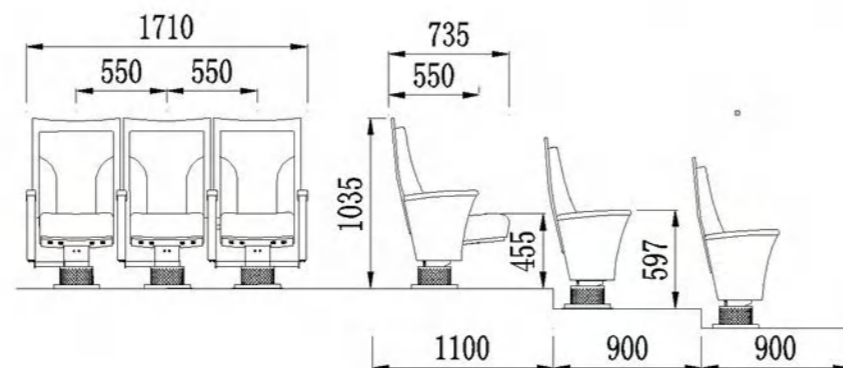
Shell:
The base material is made of high-quality high-density multi-layer board, and the outer shoes are imported environmental protection baking paint, which is beautiful and anti-deformation.

Stand:
Made of high-quality cold-rolled steel stamping.

Coating:
After anti-rust phosphating treatment, electrostatic powder spraying, high temperature plasticizing.

Armrest:
It is processed and formed by solid wood, dehydrated, dried and buffered, and the outer shoes are imported environmental protection baking paint.

Reply:
Spring and damping return, automatic slow return, no noise



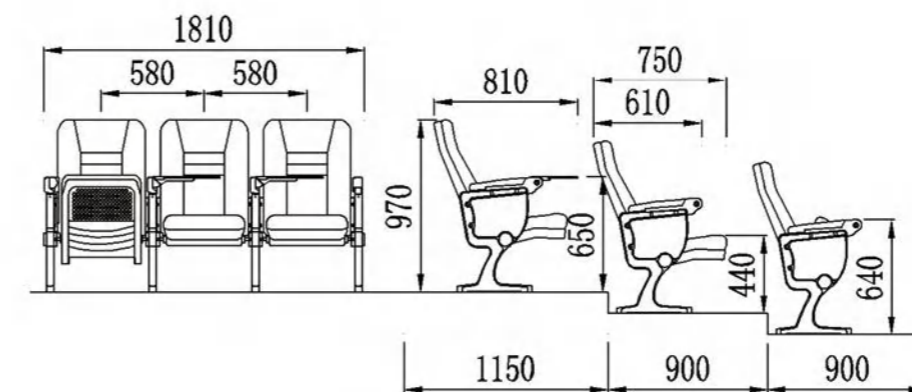
HY-11202C



Aluminum alloy feet



PUC writing board





Solid wood handrail

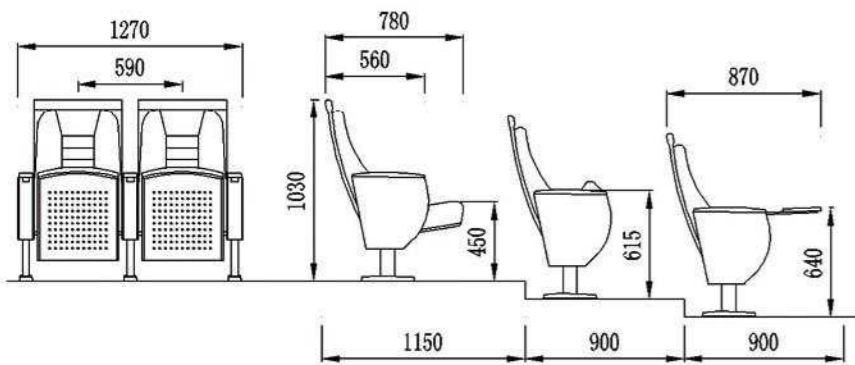


PU seat back shell



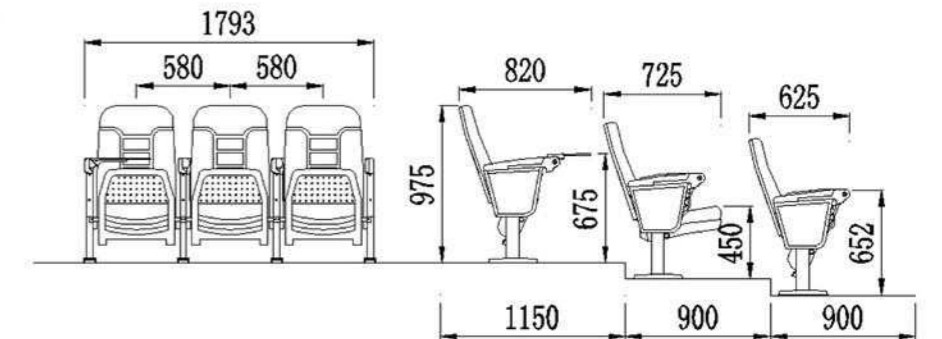
HY-11304

W B N X



HY-11205

W B N X





Aluminum alloy feet



Solid wood seat back

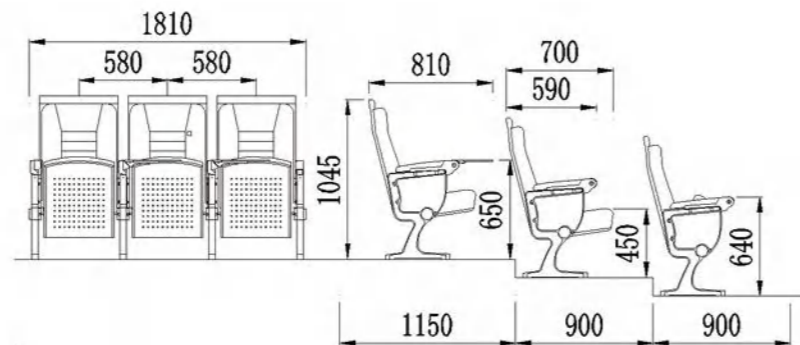


Solid wood handrail



HY-11203C

W B N X



Material Description

Seat back:

The sponge adopts imported special-shaped sponge, which has comfortable elasticity, good resilience, and will not collapse after sitting for a long time.

Fabric:

Premium special fabric, flame retardant, stain resistant, fade resistant.

Shell:

The base material is made of high-quality high-density multi-layer board, and the outer shoes are imported environmental protection baking paint, which is beautiful and anti-deformation.

Stand:

Made of high-quality cold-rolled steel stamping.

Coating:

After anti-rust phosphating treatment, electrostatic powder spraying, high temperature plasticizing.

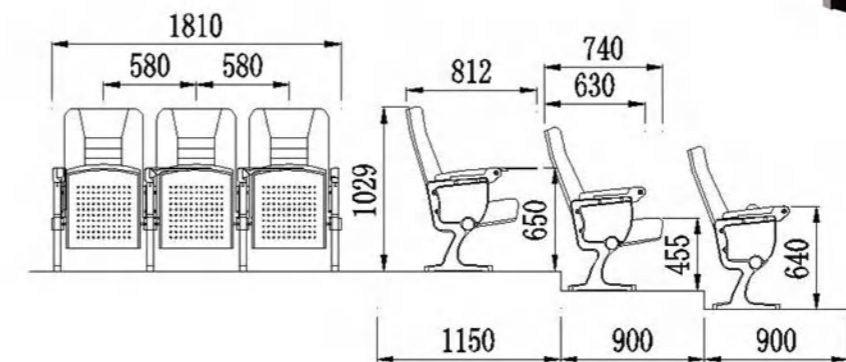
Armrest:

It is processed and formed by solid wood, dehydrated, dried and buffered, and the outer shoes are imported environmental protection



HY-10203A

W B N X



HY-10704B

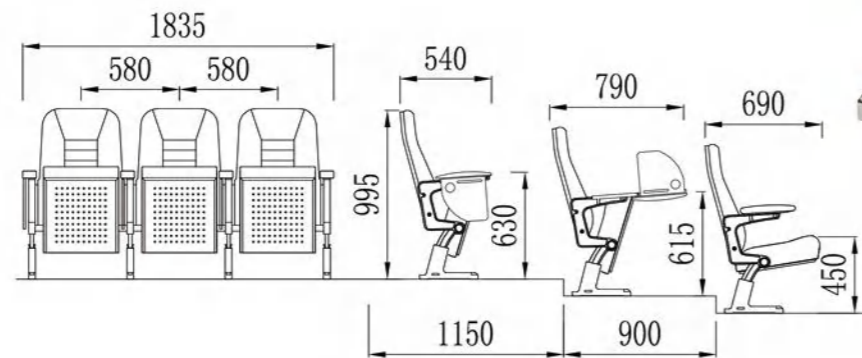
Material Description

Seat back:
The sponge adopts imported special-shaped sponge, which has comfortable elasticity, good resilience, and will not collapse after sitting for a long time.

Fabric:
Premium special fabric, flame retardant, stain resistant, fade resistant.

Coating:
After anti-rust phosphating treatment, electrostatic powder spraying, high temperature plasticizing.

Armrest:
It is processed and formed by solid wood, dehydrated, dried and buffered, and the outer shoes are imported environmental protection baking paint.



HY-10705A

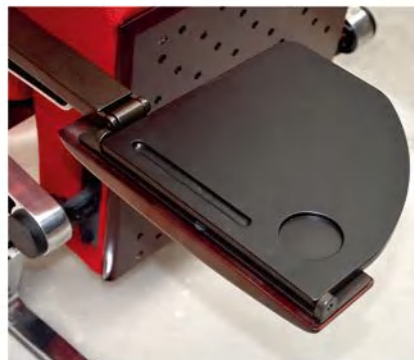
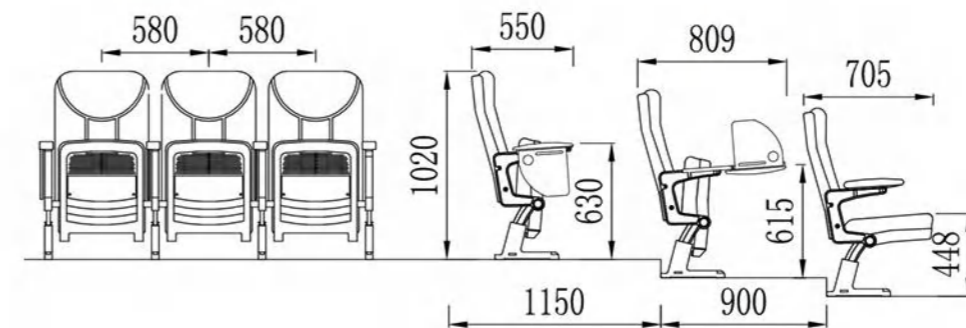
Material Description

Seat back:
The sponge adopts imported special-shaped sponge, which has comfortable elasticity, good resilience, and will not collapse after sitting for a long time.

Fabric:
Premium special fabric, flame retardant, stain resistant, fade resistant.

Coating:
After anti-rust phosphating treatment, electrostatic powder spraying, high temperature plasticizing.

Armrest:
It is processed and formed by solid wood, dehydrated, dried and buffered, and the outer shoes are imported environmental protection baking paint.





HY-10207A W B N X

Material Description

Seat back:

The sponge adopts imported special-shaped sponge, which has comfortable elasticity, good resilience, and will not collapse after sitting for a long time.

Fabric:

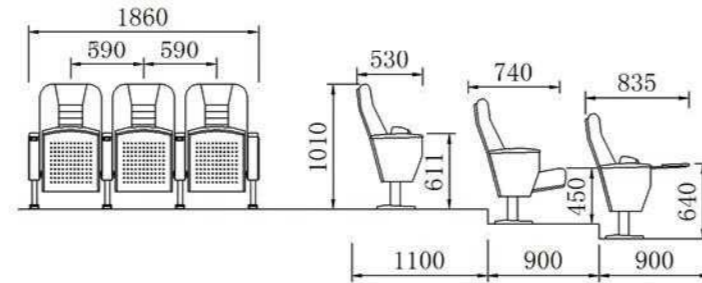
Premium special fabric, flame retardant, stain resistant, fade resistant.

Shell:

The base material is made of high-quality high-density multi-layer board, and the outer shoes are imported environmental protection baking paint, which is beautiful and anti-deformation.

Coating:

After anti-rust phosphating treatment, electrostatic powder spraying, high temperature plasticizing.

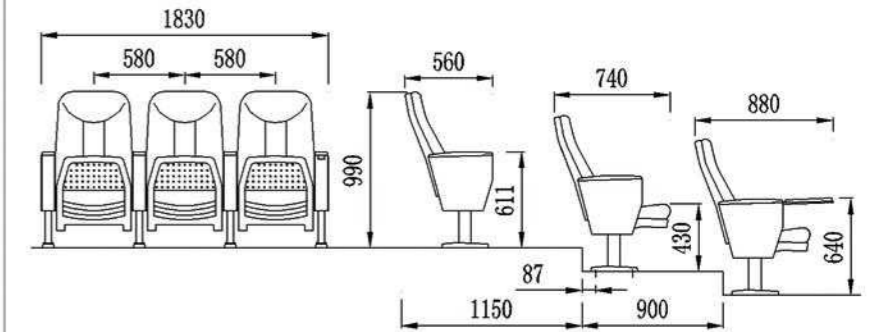


HY-10106 W B N X



Writing board

Solid wood handrail



HY-10207



HY-10207B



HY-10207H



HY-10207J



Moveable feet



HY-10103A



HY-10103C



HY-10102



HY-10102B



HY-10103



HY-10104



HY-10104A



HY-10102C

HY-10205

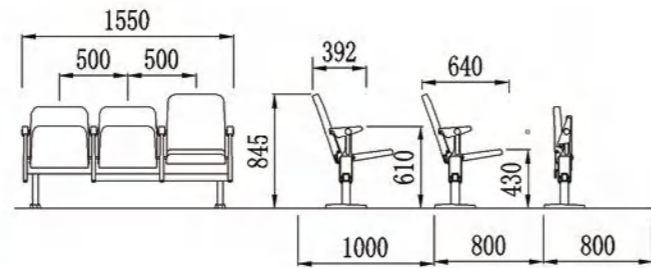
Material Description

Seat back:
The sponge adopts imported special-shaped sponge, which has comfortable elasticity, good resilience, and will not collapse after sitting for a long time.

Fabric:
Premium special fabric, flame retardant, stain resistant, fade resistant.

Shell:
The base material is made of high-quality high-density multi-layer board, and the outer shoes are imported environmental protection baking paint, which is beautiful and anti-deformation.

Stand:
Made of high-quality cold-rolled steel stamping.



HY-10205C

Black PP writing board

Wooden writing board

Rotary writing board

Built-in reversible writing board

Flip foldable writing board

Pull-out writing board - open

Pull-out writing board - closed

Hinged writing board - open

Hinged writing board - closed

Beech armrest

Black PU armrest

Dark rosewood armrest

Light-coloured rosewood armrest

Rear cup holder front

Back book net

Rear cup holder

Fixed feet

Triangle fixed feet

Square head aluminum fixed feet

Square tube moveable feet

Stamping movable feet

Wide stamping movable feet

Square single foot

Round single foot

Trapezoid single foot

PARTS DISPLAY



CINEMA CHAIR SERIES

HY-804

Material Description

Seat back:

The sponge adopts imported special-shaped sponge, which has comfortable elasticity, good resilience, and will not collapse after sitting for a long time.

Fabric:

Premium special fabric, flame retardant, stain resistant, fade resistant.

Shell:

The base material is made of high-quality high-density multi-layer board, and the outer shoes are imported environmental protection baking paint, which is beautiful and anti-deformation.

Stand:

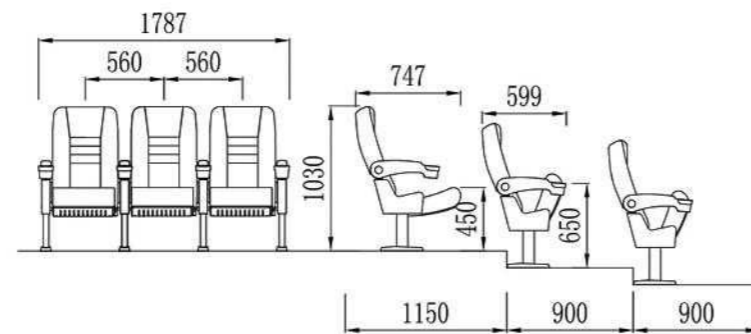
Made of high-quality cold-rolled steel stamping.

Coating:

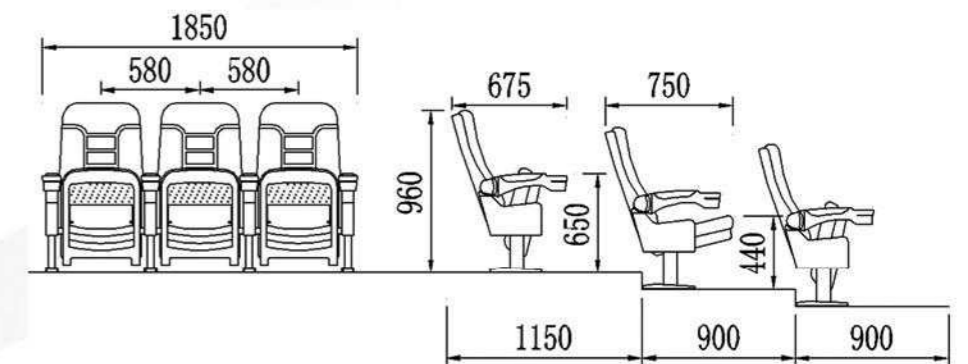
After anti-rust phosphating treatment, electrostatic powder spraying, high temperature plasticizing.

Armrest:

It is processed and formed by solid wood, dehydrated, dried and buffered, and the outer shoes are imported environmental protection baking paint.



HY-606



HY-10707Z

Material Description

Seat back:
The sponge adopts imported special-shaped sponge, which has comfortable elasticity, good resilience, and will not collapse after sitting for a long time.

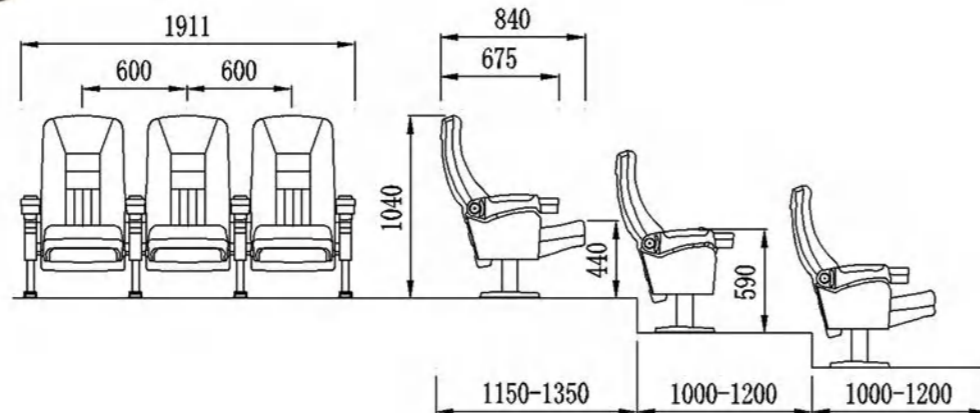
Fabric:
Premium special fabric, flame retardant, stain resistant, fade resistant.

Shell:
The base material is made of high-quality high-density multi-layer board, and the outer shoes are imported environmental protection baking paint, which is beautiful and anti-deformation.

Stand:
Made of high-quality cold-rolled steel stamping.

Coating:
After anti-rust phosphating treatment, electrostatic powder spraying, high temperature plasticizing.

Armrest:
It is processed and formed by solid wood, dehydrated, dried and buffered, and the outer shoes are imported environmental protection baking paint.



P. U扶手

HY-10707

W N

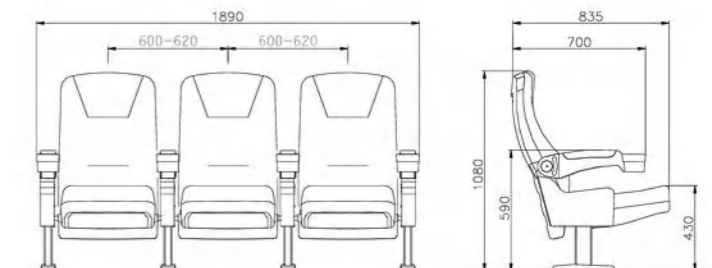


Material Description

Seat back:
The sponge adopts imported special-shaped sponge, which has comfortable elasticity, good resilience, and will not collapse after sitting for a long time.

Fabric:
Premium special fabric, flame retardant, stain resistant, fade resistant.

Shell:
The base material is made of high-quality high-density multi-layer board, and the outer shoes are imported environmental protection baking paint, which is beautiful and anti-deformation.





HY-10606A



HY-10606A



HY-10606C



HY-10606C



HY-10501

Material Description

Seat back:
The sponge adopts imported special-shaped sponge, which has comfortable elasticity, good resilience, and will not collapse after sitting for a long time.

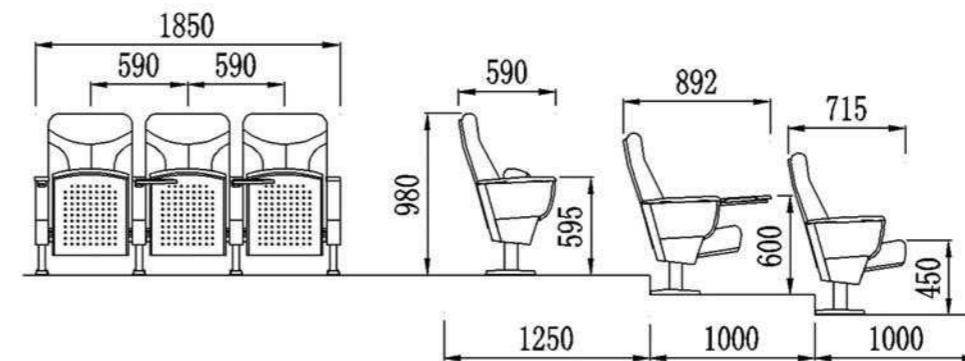
Fabric:
Premium special fabric, flame retardant, stain resistant, fade resistant.

Shell:
The base material is made of high-quality high-density multi-layer board, and the outer shoes are imported environmental protection baking paint, which is beautiful and anti-deformation.

Stand:
Made of high-quality cold-rolled steel stamping.



HY-10501B



A wide-angle photograph of a large theater interior. The stage is at the top, illuminated with blue and purple spotlights. The audience seating area is filled with rows of dark-colored seats, separated by aisles with wooden handrails. The theater's architecture features tall, curved walls and a complex ceiling structure with visible lighting rigs and equipment. The overall atmosphere is dramatic and professional.

THEATER CHAIR SERIES

HY-803

Material Description

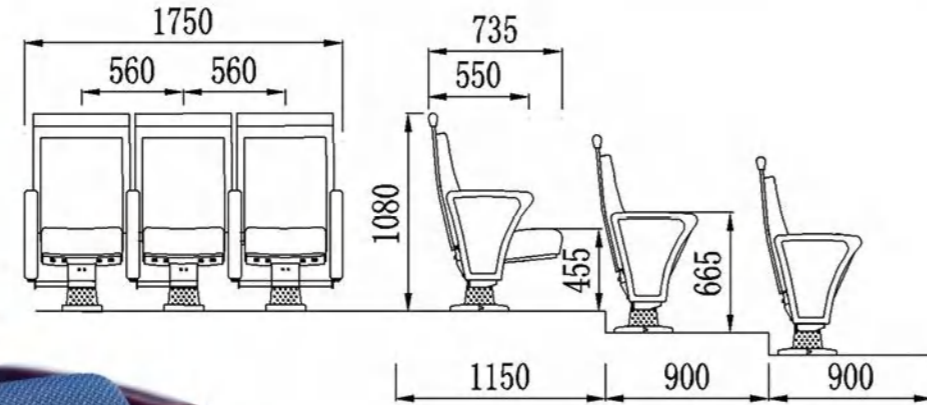
Seat back:
The sponge adopts imported special-shaped sponge, which has comfortable elasticity, good resilience, and will not collapse after sitting for a long time.

Fabric:
Premium special fabric, flame retardant, stain resistant, fade resistant.

Shell:
The base material is made of high-quality high-density multi-layer board, and the outer shoes are imported environmental protection baking paint, which is beautiful and anti-deformation.

Stand:
Made of high-quality cold-rolled steel stamping.

Coating:
After anti-rust phosphating treatment, electrostatic powder spraying, high temperature plasticizing.



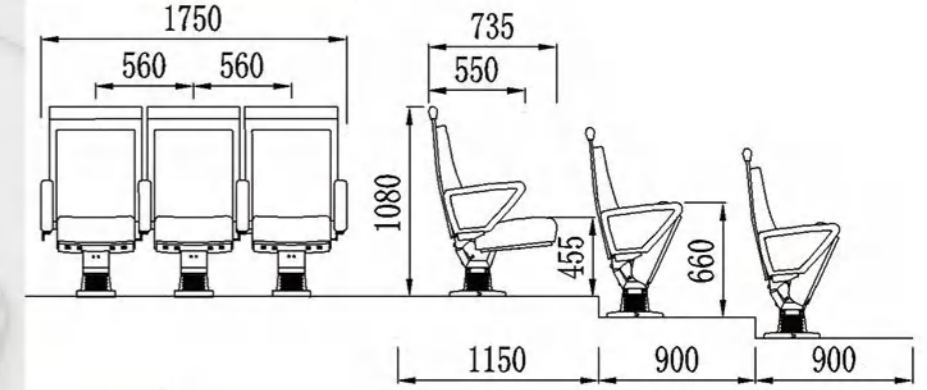
HY-804

Material Description

Seat back:
The sponge adopts imported special-shaped sponge, which has comfortable elasticity, good resilience, and will not collapse after sitting for a long time.

Fabric:
Premium special fabric, flame retardant, stain resistant, fade resistant.

Shell:
The base material is made of high-quality high-density multi-layer board, and the outer shoes are imported environmental protection baking paint, which is beautiful and anti-deformation.





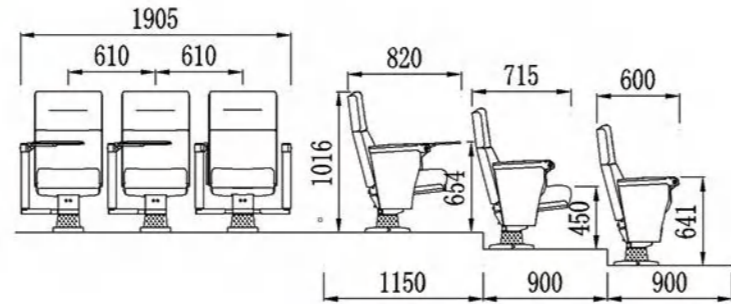
HY-805

Material Description

Seat back:
The sponge adopts imported special-shaped sponge, which has comfortable elasticity, good resilience, and will not collapse after sitting for a long time.

Fabric:
Premium special fabric, flame retardant, stain resistant, fade resistant.

Shell:
The base material is made of high-quality high-density multi-layer board, and the outer shoes are imported environmental protection baking paint, which is beautiful and anti-deformation.



HY-805X

Any angle writing board

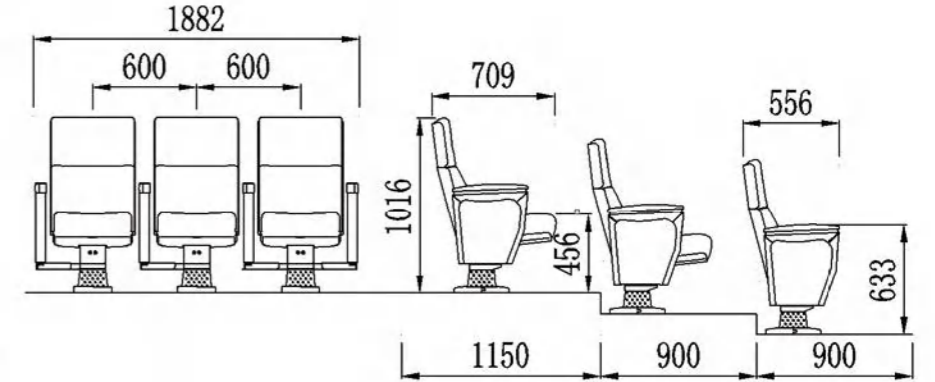
HY-806

Material Description

Seat back:
The sponge adopts imported special-shaped sponge, which has comfortable elasticity, good resilience, and will not collapse after sitting for a long time.

Fabric:
Premium special fabric, flame retardant, stain resistant, fade resistant.

Shell:
The base material is made of high-quality high-density multi-layer board, and the outer shoes are imported environmental protection baking paint,



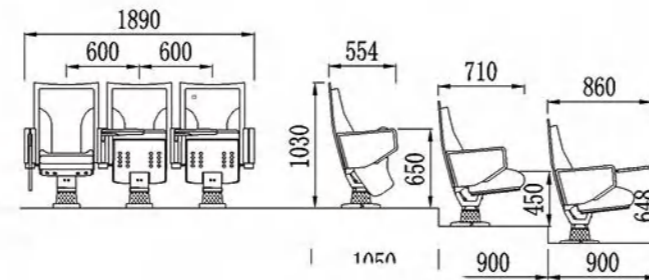
HY-807

Material Description

Seat back:
The sponge adopts imported special-shaped sponge, which has comfortable elasticity, good resilience, and will not collapse after sitting for a long time.

Fabric:
Premium special fabric, flame retardant, stain resistant, fade resistant.

Shell:
The base material is made of high-quality high-density multi-layer board, and the outer shoes are imported environmental protection baking paint, which is beautiful and anti-deformation.



HY-807X

Built-in writing board

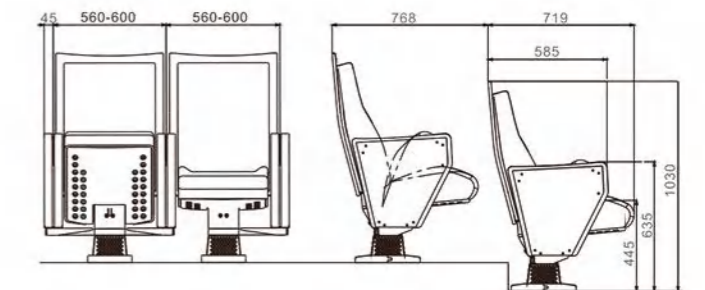
HY-808

Material Description

Seat back:
The sponge adopts imported special-shaped sponge, which has comfortable elasticity, good resilience, and will not collapse after sitting for a long time.

Fabric:
Premium special fabric, flame retardant, stain resistant, fade resistant.

Shell:
The base material is made of high-quality high-density multi-layer board, and the outer shoes are imported environmental protection baking paint, which is beautiful and anti-deformation.



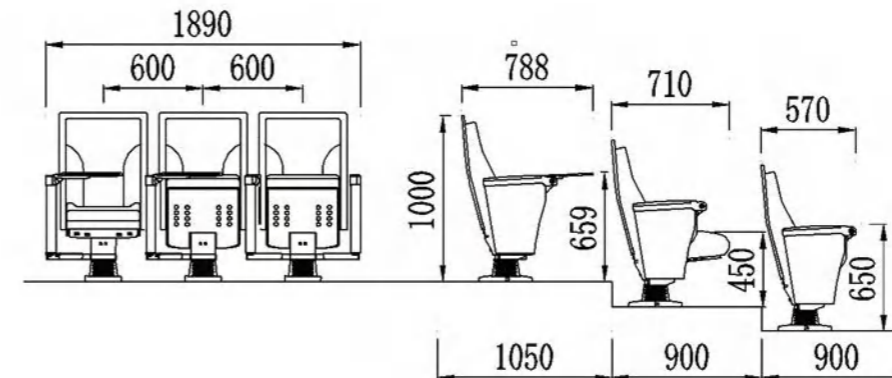
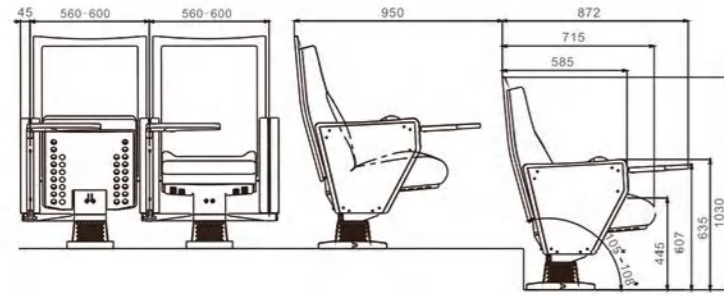
HY-808X

Material Description

Seat back:
The sponge adopts imported special-shaped sponge, which has comfortable elasticity, good resilience, and will not collapse after sitting for a long time.

Fabric:
Premium special fabric, flame retardant, stain resistant, fade resistant.

Shell:
The base material is made of high-quality high-density multi-layer board, and the outer shoes are imported environmental protection baking paint, which is beautiful and anti-deformation.



HY-808AX

Material Description **W B N X**

Seat back:
The sponge adopts imported special-shaped sponge, which has comfortable elasticity, good resilience, and will not collapse after sitting for a long time.

Fabric:
Premium special fabric, flame retardant, stain resistant, fade resistant.

Shell:
The base material is made of high-quality high-density multi-layer board, and the outer shoes are imported environmental protection baking paint, which is beautiful and anti-deformation.



Independent fixing feet



Independent fixing feet



Solid wood seat back

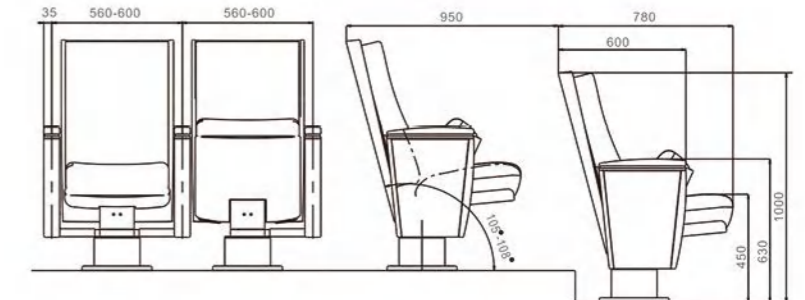
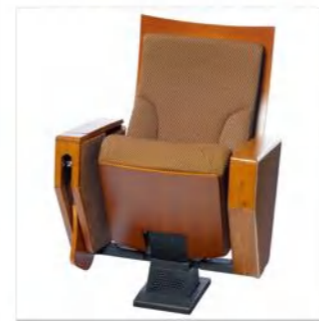
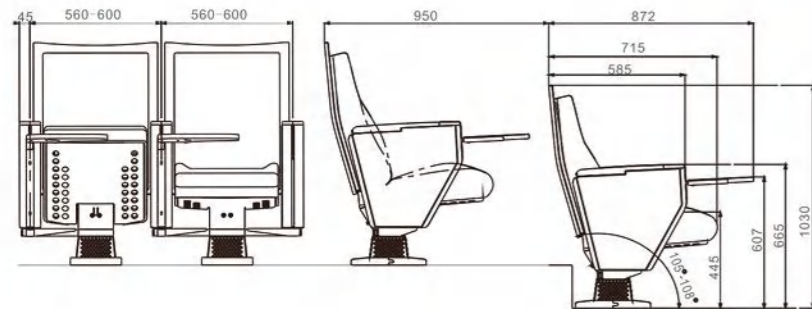
HY-808XT

Material Description

Seat back:
The sponge adopts imported special-shaped sponge, which has comfortable elasticity, good resilience, and will not collapse after sitting for a long time.

Fabric:
Premium special fabric, flame retardant, stain resistant, fade resistant.

Shell:
The base material is made of high-quality high-density multi-layer board, and the outer shoes are imported environmental protection baking paint,



HY-809

Material Description

Seat back:
The sponge adopts imported special-shaped sponge, which has comfortable elasticity, good resilience, and will not collapse after sitting for a long time.

Fabric:
Premium special fabric, flame retardant, stain resistant, fade resistant.

Shell:
The base material is made of high-quality high-density multi-layer board, and the outer shoes are imported environmental protection baking paint,



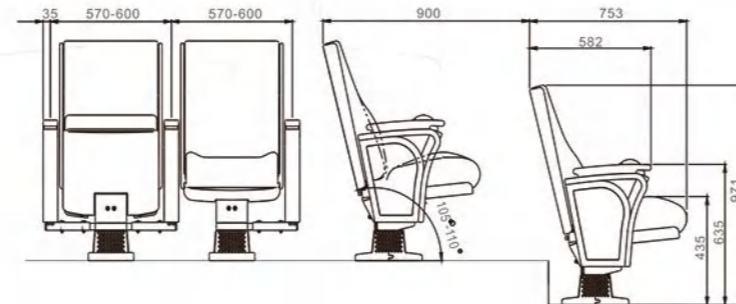
HY-816

Material Description

Seat back:
The sponge adopts imported special-shaped sponge, which has comfortable elasticity, good resilience, and will not collapse after sitting for a long time.

Fabric:
Premium special fabric, flame retardant, stain resistant, fade resistant.

Shell:
The base material is made of high-quality high-density multi-layer board, and the outer shoes are imported environmental protection baking paint, which is beautiful and anti-deformation.



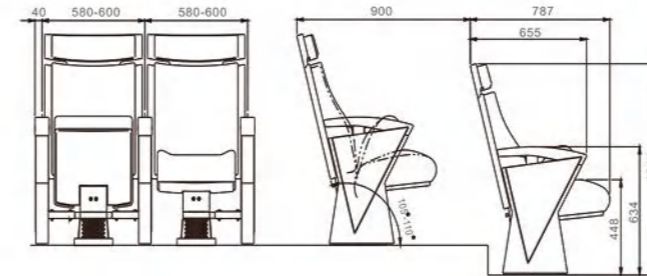
HY-819

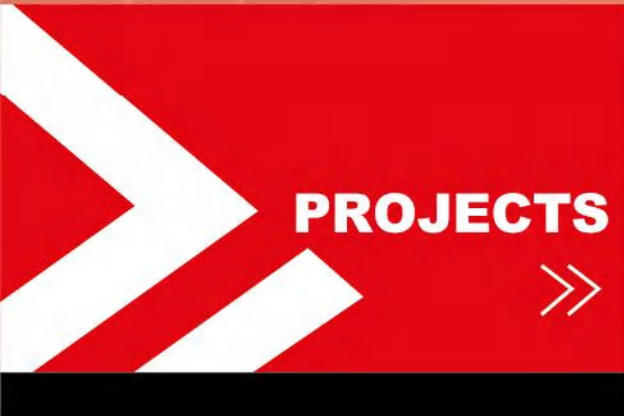
Material Description

Seat back:
The sponge adopts imported special-shaped sponge, which has comfortable elasticity, good resilience, and will not collapse after sitting for a long time.

Fabric:
Premium special fabric, flame retardant, stain resistant, fade resistant.

Shell:
The base material is made of high-quality high-density multi-layer board, and the outer shoes are imported environmental protection baking paint, which is beautiful and anti-deformation.









四川省农业大学 (成都校区)















hypresin

Hypresin(Chongqing) Enterprise Development Co., Ltd.

No. 1-1, Eling Main Street
Yuzhong District
Chongqing, China

Mobile: +86 133 7270 6173

Email: info@hypresin.com

Web: www.hypresin.com