



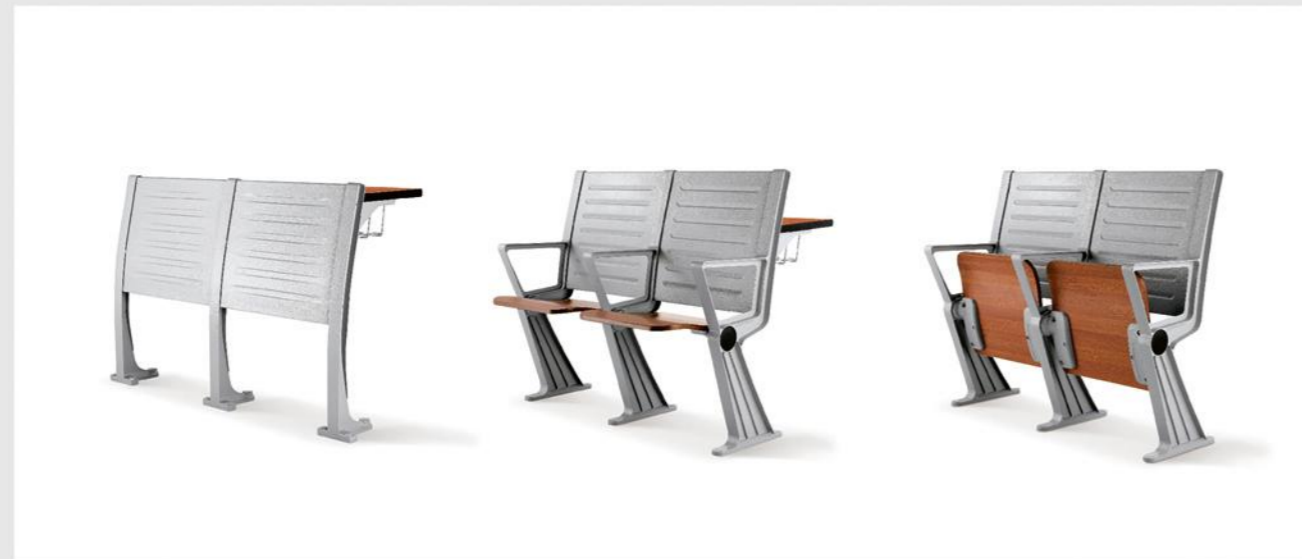
*hypresin*

---

## SCHOOL FURNITURE

- ◆ STEPPED DESKS & CHAIRS
- ◆ SINGLE DESKS & CHAIRS
- ◆ TRAINING DESKS & CHAIRS

## Stepped Desks & Chairs



KZ-0001



KZ-0002



KZ-0003



KZ-0005



KZ-0006



KZ-0007



KZ-0008



KZ-0009



KZ-0010



KZ-0011

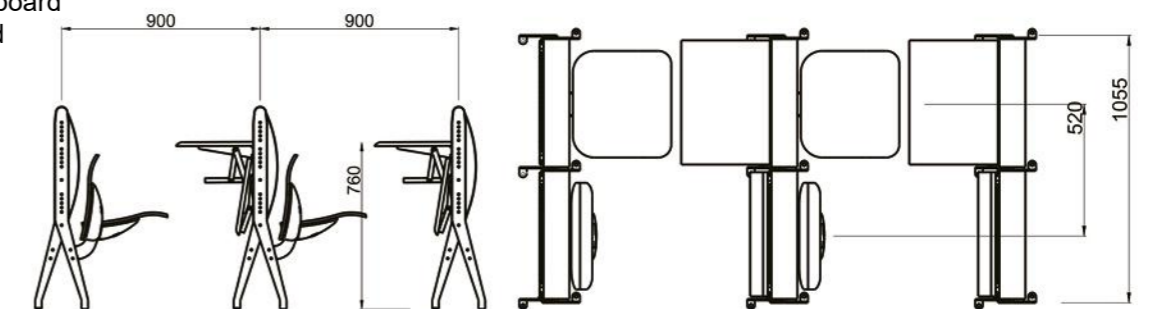


KZ-2728



Material Description

Seat: 15mm bentwood plywood + fire board  
 Back: Q235 1.2mm steel net / MDF + fire board  
 Desktop: 18mm MDF decorative panel / 18mm MDF + fireproof board  
 18mm particle board / 18mm particle board + fire board  
 18mm plywood + fireproof board  
 Tag: 15mm medium fiber veneer / 15mm shavings veneer  
 Platen: 15mm medium fiber veneer / 15mm shavings veneer  
 Stand: Q235 2mm cold plate stamping forming  
 Column: 80x32x1.8 oval tube  
 Coating: Electrostatic spray  
 Return: Spring damped return





KZ-2721



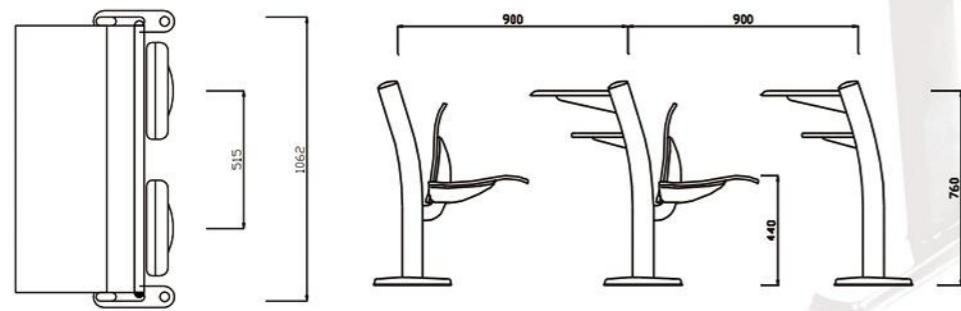
KZ-2721A



KZ-2722A

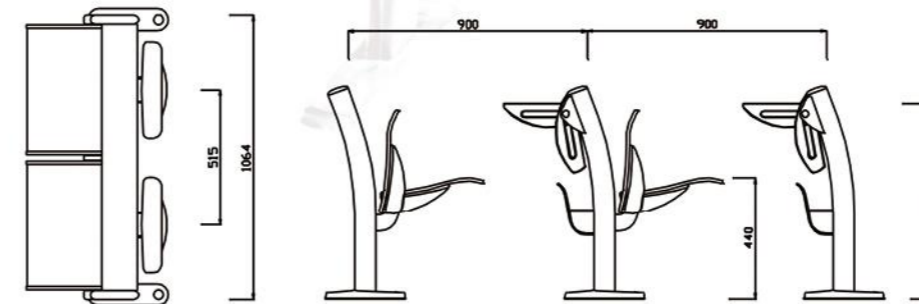


KZ-2722



Material Description

Seat: 15mm bentwood plywood + fire board  
 Back: Q235 1.2mm steel net / MDF + fire board  
 Desktop: 18mm MDF decorative panel / 18mm MDF + fireproof board  
 18mm particle board / 18mm particle board + fire board  
 18mm plywood + fireproof board  
 Tag: 15mm medium fiber veneer / 15mm shavings veneer  
 Platen: 15mm medium fiber veneer / 15mm shavings veneer  
 Stand: Q235 2mm cold plate stamping forming  
 Column: 80x32x1.8 oval tube  
 Coating: Electrostatic spray  
 Return: Spring damped return

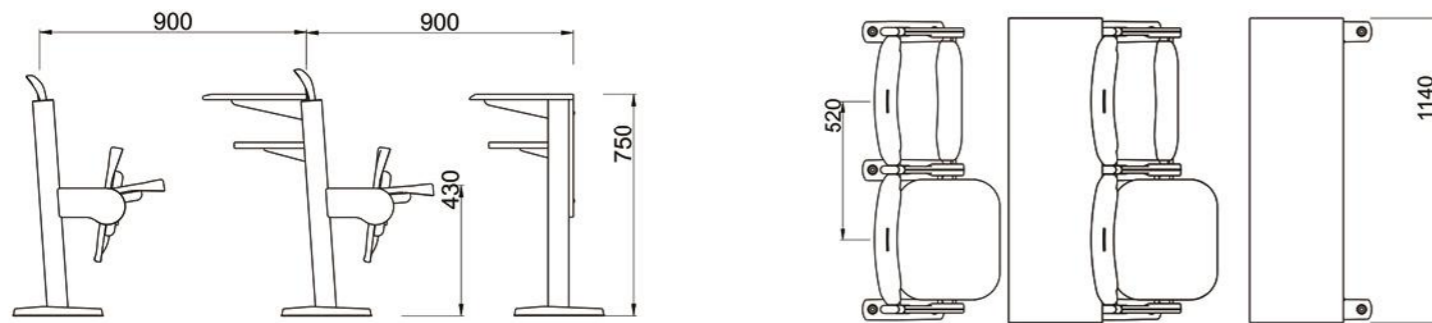


Material Description

Seat: 15mm bentwood plywood + fire board  
 Back: Q235 1.2mm steel net / MDF + fire board  
 Desktop: 18mm MDF decorative panel / 18mm MDF  
 18mm particle board / 18mm particle board  
 18mm plywood + fireproof board  
 Tag: 15mm medium fiber veneer / 15mm shavings veneer  
 Platen: 15mm medium fiber veneer / 15mm shavings veneer  
 Stand: Q235 2mm cold plate stamping forming  
 Column: 80x32x1.8 oval tube  
 Coating: Electrostatic spray  
 Return: Spring damped return



KZ-2523



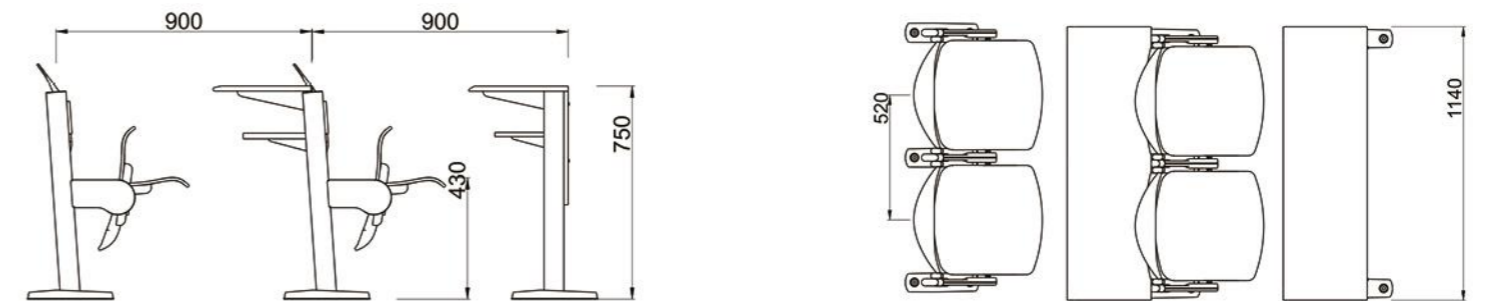
Material Description

Seat/Back: 12mm bentwood plywood + fire board  
 Desktop: 18mm MDF decorative panel / 18mm MDF + fireproof board  
 18mm particle board / 18mm particle board + fire board  
 18mm plywood + fireproof board  
 Tag: 15mm medium fiber veneer / 15mm shavings veneer  
 Platen: 15mm medium fiber veneer / 15mm shavings veneer

Stand: Q235 2mm cold plate stamping forming  
 Column: 70x30x1.2 oval tube  
 Coating: Electrostatic spray  
 Return: Gravity return



KZ-2522



Material Description

Seat/Back: 12mm bentwood plywood + fire board  
 Desktop: 18mm MDF decorative panel / 18mm MDF + fireproof board  
 18mm particle board / 18mm particle board + fire board  
 18mm plywood + fireproof board  
 Tag: 15mm medium fiber veneer / 15mm shavings veneer  
 Platen: 15mm medium fiber veneer / 15mm shavings veneer

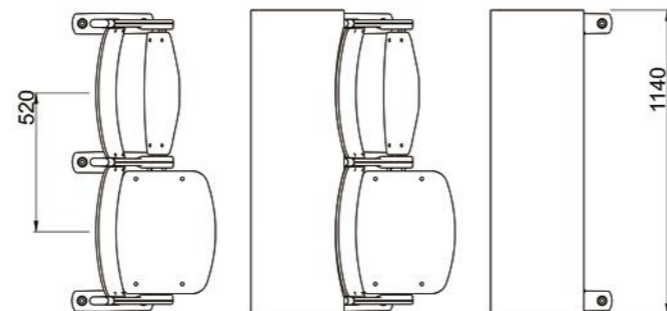
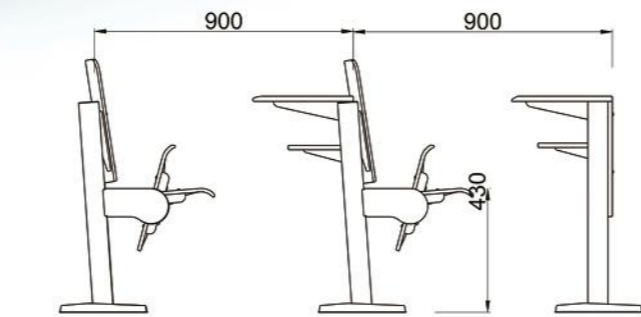
Stand: Q235 2mm cold plate stamping forming  
 Column: 70x30x1.2 oval tube  
 Coating: Electrostatic spray  
 Return: Gravity return



**KZ-2702**

**Material Description**

Seat/Back: 12mm bentwood plywood + fire board  
 Desktop: 18mm MDF decorative panel / 18mm MDF + fireproof board  
 18mm particle board / 18mm particle board + fire board  
 18mm plywood + fireproof board  
 Tag: 15mm medium fiber veneer / 15mm shavings veneer  
 Platen: 15mm medium fiber veneer / 15mm shavings veneer  
 Stand: Q235 2mm cold plate stamping forming  
 Column: 70x30x1.2 oval tube  
 Coating: Electrostatic spray  
 Return: Gravity return



**Single Desks & Chairs**





KZ-2801



KZ-2802

# design concepts



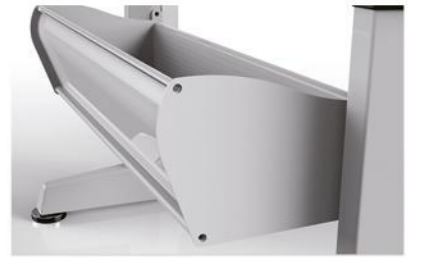
KZ-2803



KZ-2804



KZ-2866







KZ-2866A



Extraordinary style, youthful and bright colors, superb craftsmanship, and the best interpretation of comfort. The use of new materials and new design concepts give young people a space



KZ-2814



KZ-2817A



KZ-2821



KZ-2816A



KZ-2756



KZ-2816



KZ-2861



KZ-2812



KZ-2847



KZ-2835



KZ-2759



KZ-2846



KZ-2755



KZ-2757



KZ-2755A



KZ-2760



KZ-2862





KZ-2814



LD-130



LD-210



LD-211



LD-220



LD-230



LD-235



LD-250



KZ-2811



LD-240



LD-245



LD-255



LD-114



LD-111



LD-126



LD-113



LD-110



LD-108



LD-127



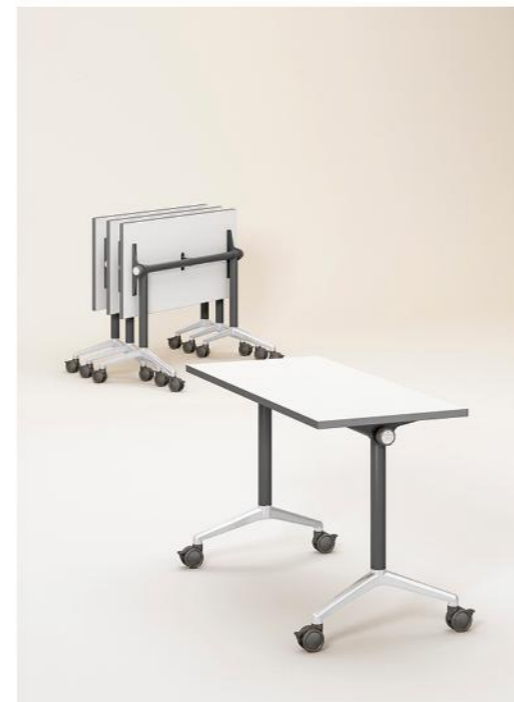
LD-102

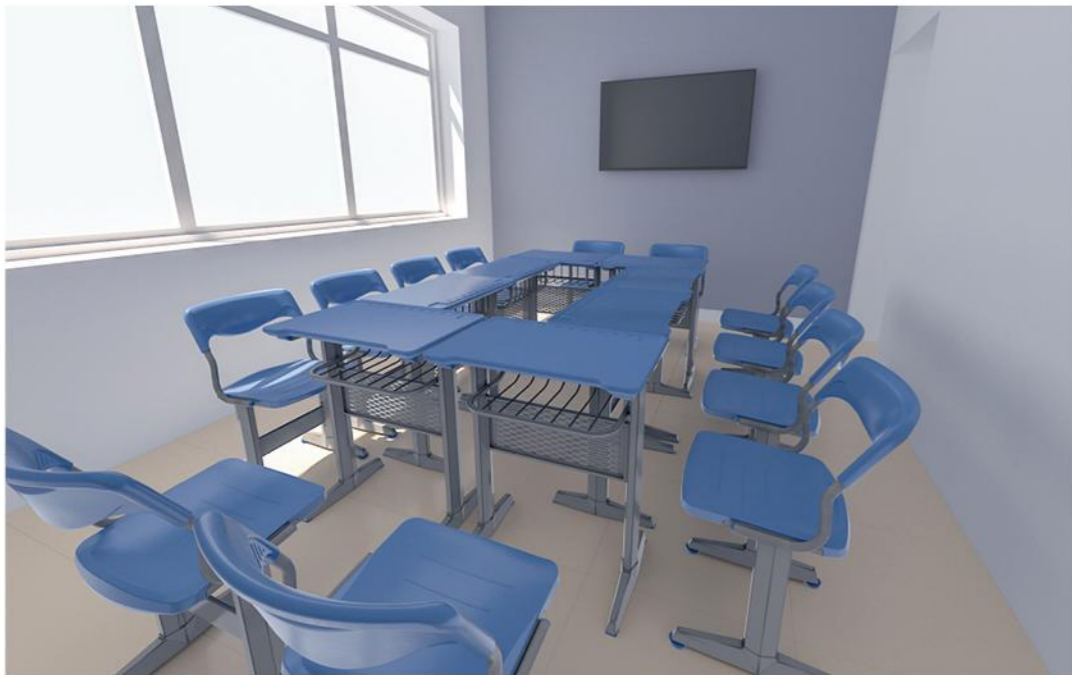


LD-124



**SPACE  
THAT  
NEVER  
ENDS**





**CASES**









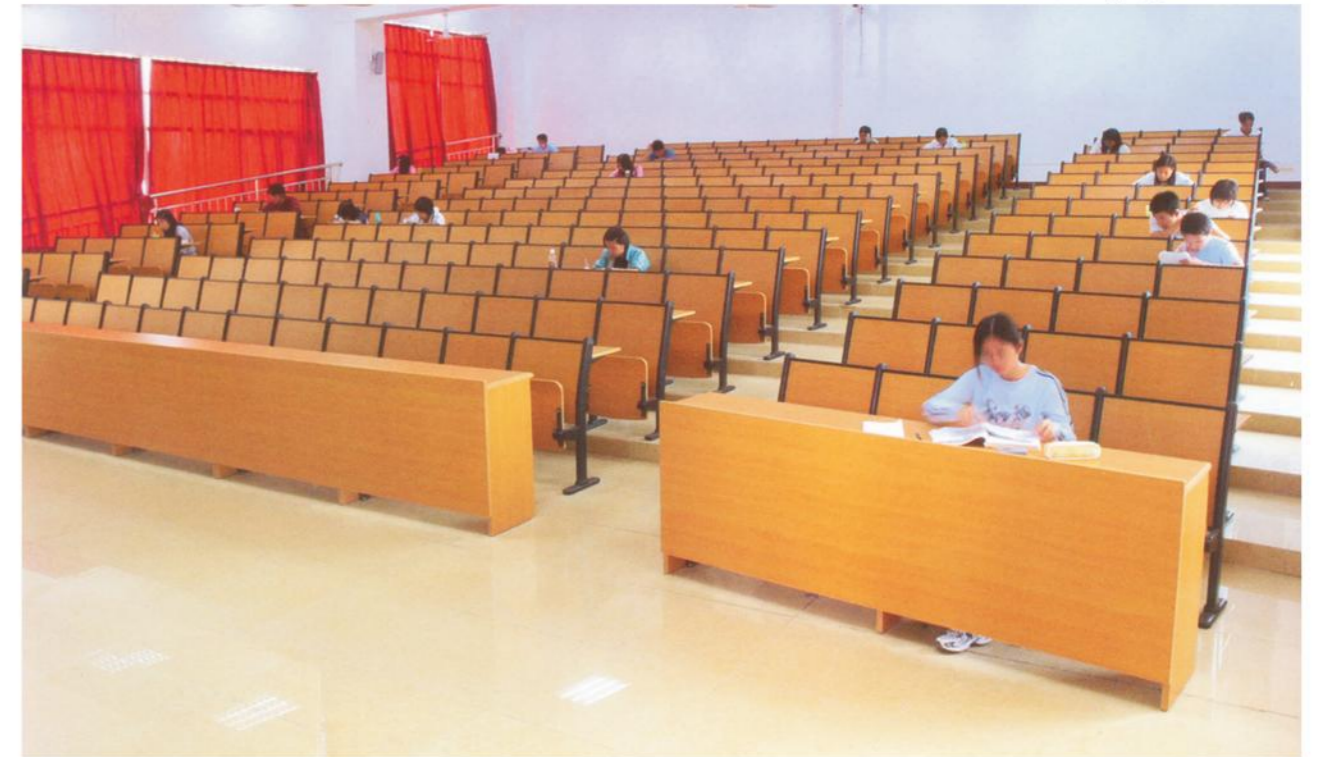
# Rhythm

Magic Combination , Changed with Change





四川大学





重庆正大职业学校





*hypresin*

---

**Hypresin(Chongqing) Enterprise Development Co., Ltd.**

No. 1-1, Eling Main Street  
Yuzhong District  
Chongqing, China

Mobile: +86 133 7270 6173  
Email: [info@hypresin.com](mailto:info@hypresin.com)  
Web: [www.hypresin.com](http://www.hypresin.com)