

A wide-angle photograph of a modern theater interior. The stage is illuminated with vibrant blue light, and the ceiling features a complex network of dark structural beams and lighting rigs. The audience seating consists of numerous rows of blue upholstered chairs, arranged in a semi-circular pattern. The walls are a light, neutral color, and the overall atmosphere is one of a high-tech, contemporary performance space.

THEATER CHAIR SERIES

FACTORY LANDSCAPE



HY-803

Material Description

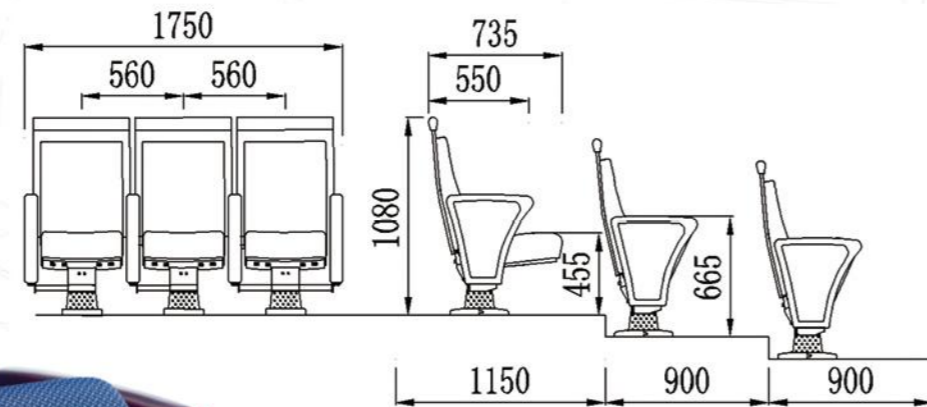
Seat back:
The sponge adopts imported special-shaped sponge, which has comfortable elasticity, good resilience, and will not collapse after sitting for a long time.

Fabric:
Premium special fabric, flame retardant, stain resistant, fade resistant.

Shell:
The base material is made of high-quality high-density multi-layer board, and the outer shoes are imported environmental protection baking paint, which is beautiful and anti-deformation.

Stand:
Made of high-quality cold-rolled steel stamping.

Coating:
After anti-rust phosphating treatment, electrostatic powder spraying, high temperature plasticizing.



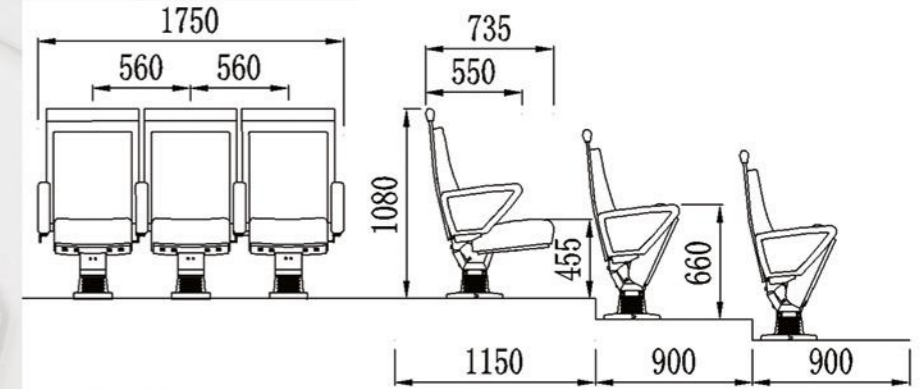
HY-804

Material Description

Seat back:
The sponge adopts imported special-shaped sponge, which has comfortable elasticity, good resilience, and will not collapse after sitting for a long time.

Fabric:
Premium special fabric, flame retardant, stain resistant, fade resistant.

Shell:
The base material is made of high-quality high-density multi-layer board, and the outer shoes are imported environmental protection baking paint, which is beautiful and anti-deformation.





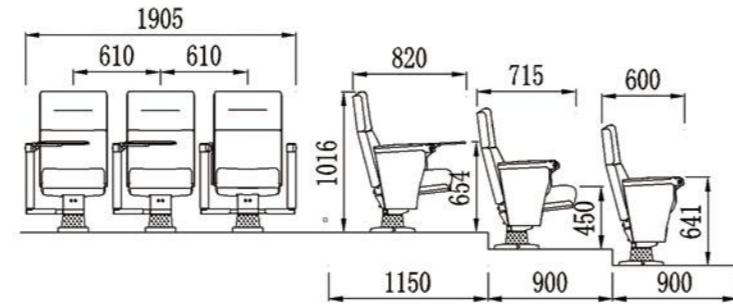
HY-805

Material Description

Seat back:
The sponge adopts imported special-shaped sponge, which has comfortable elasticity, good resilience, and will not collapse after sitting for a long time.

Fabric:
Premium special fabric, flame retardant, stain resistant, fade resistant.

Shell:
The base material is made of high-quality high-density multi-layer board, and the outer shoes are imported environmental protection baking paint, which is beautiful and anti-deformation.



HY-805X

Any angle writing board

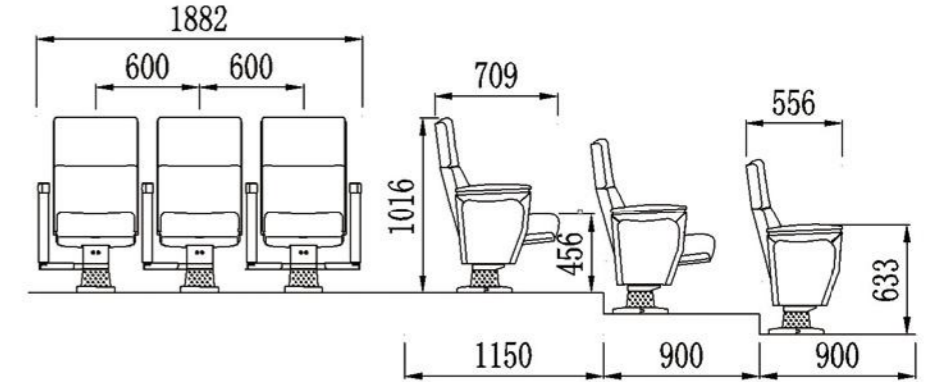
HY-806

Material Description

Seat back:
The sponge adopts imported special-shaped sponge, which has comfortable elasticity, good resilience, and will not collapse after sitting for a long time.

Fabric:
Premium special fabric, flame retardant, stain resistant, fade resistant.

Shell:
The base material is made of high-quality high-density multi-layer board, and the outer shoes are imported environmental protection baking paint,



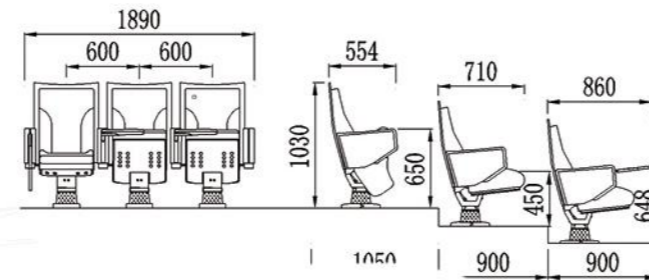
HY-807

Material Description

Seat back:
The sponge adopts imported special-shaped sponge, which has comfortable elasticity, good resilience, and will not collapse after sitting for a long time.

Fabric:
Premium special fabric, flame retardant, stain resistant, fade resistant.

Shell:
The base material is made of high-quality high-density multi-layer board, and the outer shoes are imported environmental protection baking paint, which is beautiful and anti-deformation.



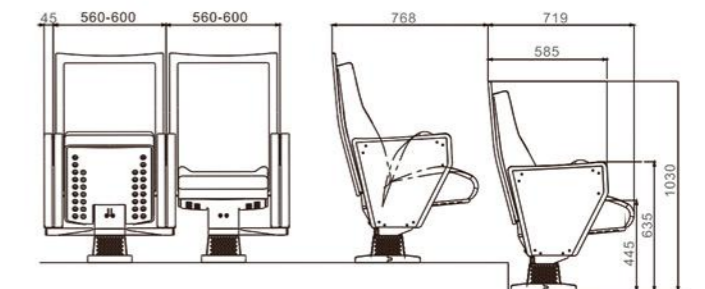
HY-808

Material Description

Seat back:
The sponge adopts imported special-shaped sponge, which has comfortable elasticity, good resilience, and will not collapse after sitting for a long time.

Fabric:
Premium special fabric, flame retardant, stain resistant, fade resistant.

Shell:
The base material is made of high-quality high-density multi-layer board, and the outer shoes are imported environmental protection baking paint, which is beautiful and anti-deformation.



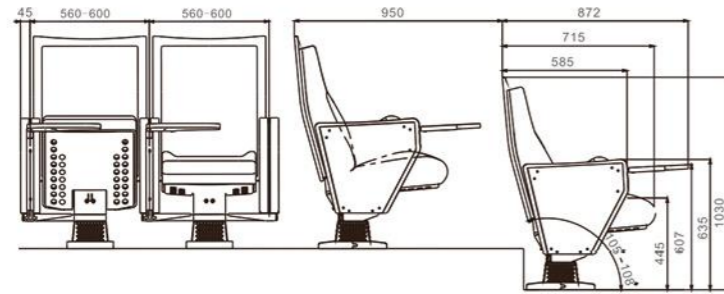
HY-808X

Material Description

Seat back:
The sponge adopts imported special-shaped sponge, which has comfortable elasticity, good resilience, and will not collapse after sitting for a long time.

Fabric:
Premium special fabric, flame retardant, stain resistant, fade resistant.

Shell:
The base material is made of high-quality high-density multi-layer board, and the outer shoes are imported environmental protection baking paint, which is beautiful and anti-deformation.



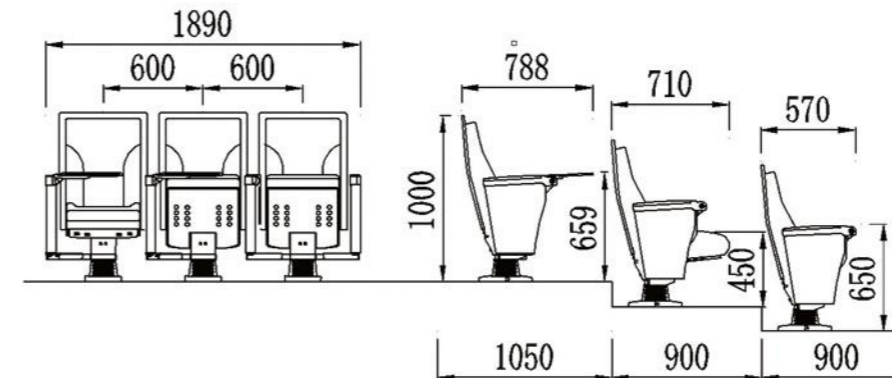
HY-808AX

Material Description **W B N X**

Seat back:
The sponge adopts imported special-shaped sponge, which has comfortable elasticity, good resilience, and will not collapse after sitting for a long time.

Fabric:
Premium special fabric, flame retardant, stain resistant, fade resistant.

Shell:
The base material is made of high-quality high-density multi-layer board, and the outer shoes are imported environmental protection baking paint, which is beautiful and anti-deformation.



Independent fixing feet



Independent fixing feet



Solid wood seat back

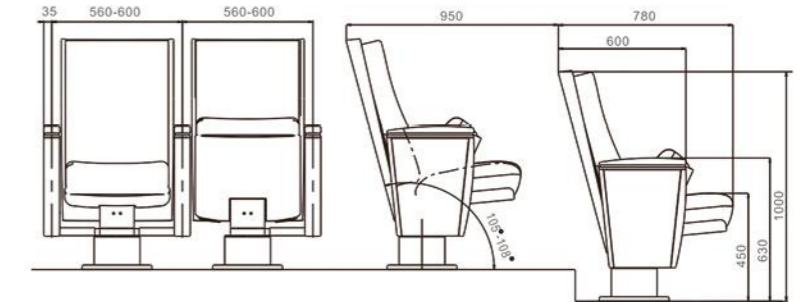
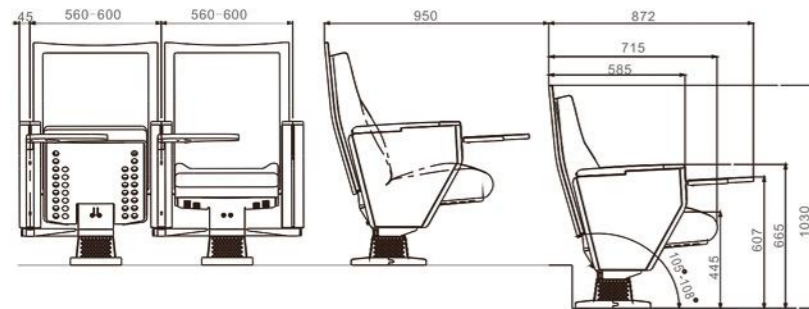
HY-808XT

Material Description

Seat back:
The sponge adopts imported special-shaped sponge, which has comfortable elasticity, good resilience, and will not collapse after sitting for a long time.

Fabric:
Premium special fabric, flame retardant, stain resistant, fade resistant.

Shell:
The base material is made of high-quality high-density multi-layer board, and the outer shoes are imported environmental protection baking paint,



HY-809

Material Description

Seat back:
The sponge adopts imported special-shaped sponge, which has comfortable elasticity, good resilience, and will not collapse after sitting for a long time.

Fabric:
Premium special fabric, flame retardant, stain resistant, fade resistant.

Shell:
The base material is made of high-quality high-density multi-layer board, and the outer shoes are imported environmental protection baking paint,



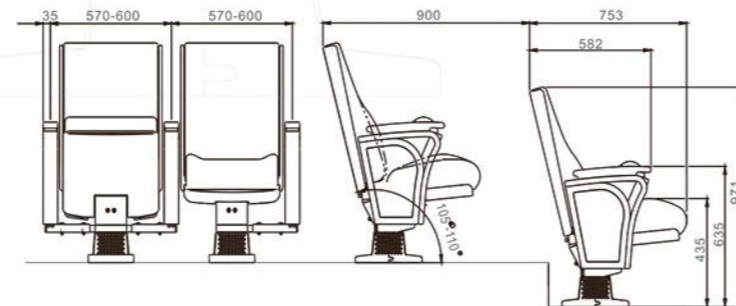
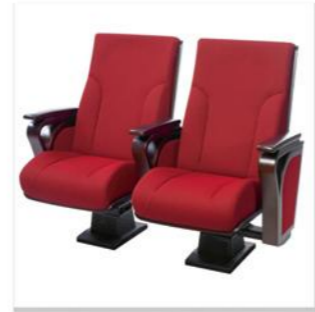
HY-816

Material Description

Seat back:
The sponge adopts imported special-shaped sponge, which has comfortable elasticity, good resilience, and will not collapse after sitting for a long time.

Fabric:
Premium special fabric, flame retardant, stain resistant, fade resistant.

Shell:
The base material is made of high-quality high-density multi-layer board, and the outer shoes are imported environmental protection baking paint, which is beautiful and anti-deformation.



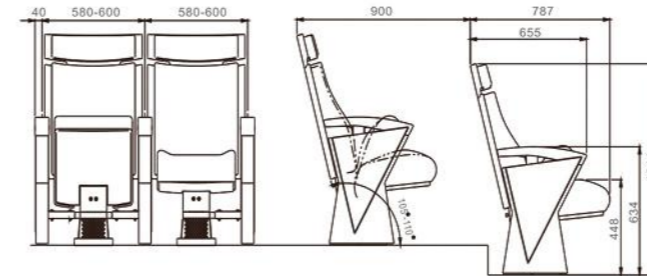
HY-819

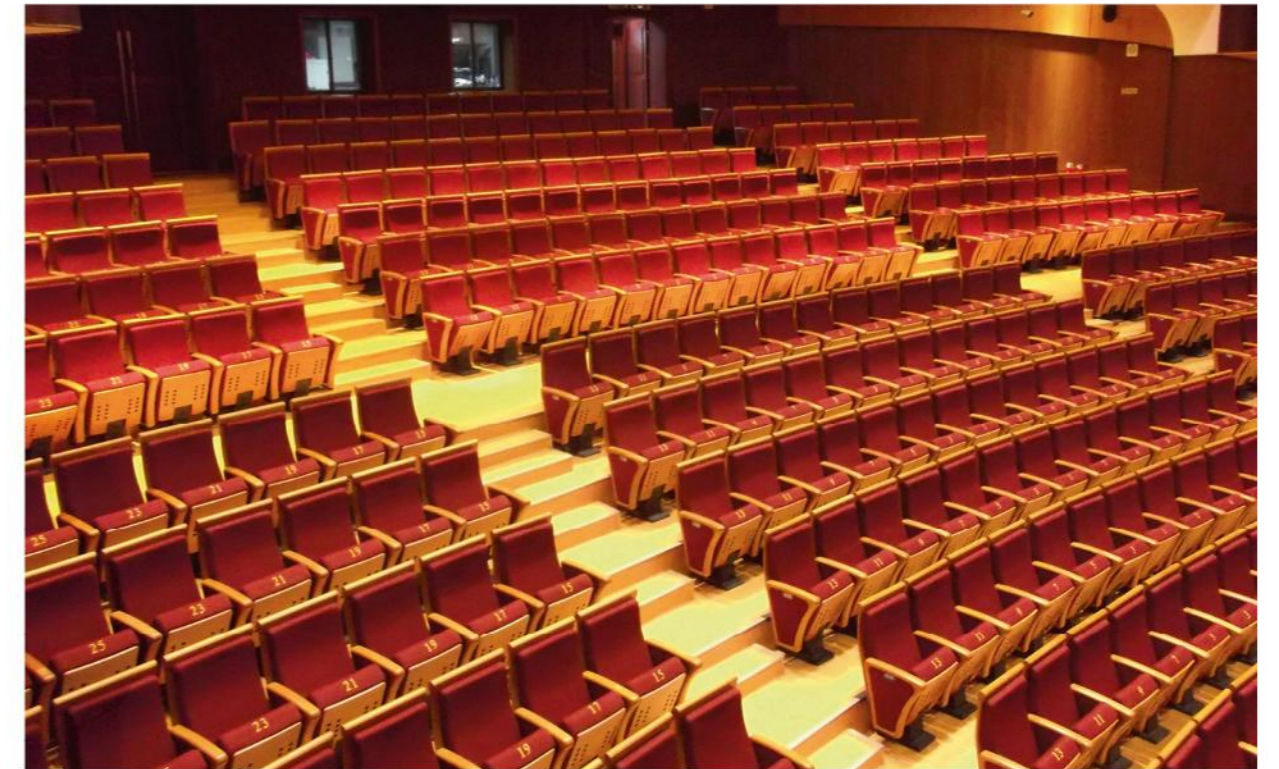
Material Description

Seat back:
The sponge adopts imported special-shaped sponge, which has comfortable elasticity, good resilience, and will not collapse after sitting for a long time.

Fabric:
Premium special fabric, flame retardant, stain resistant, fade resistant.

Shell:
The base material is made of high-quality high-density multi-layer board, and the outer shoes are imported environmental protection baking paint, which is beautiful and anti-deformation.





PROJECTS







四川省农业大学 (成都校区)













hypresin

Hypresin(Chongqing) Enterprise Development Co., Ltd.

No. 1-1, Eling Main Street
Yuzhong District
Chongqing, China

Mobile: +86 133 7270 6173

Email: info@hypresin.com

Web: www.hypresin.com